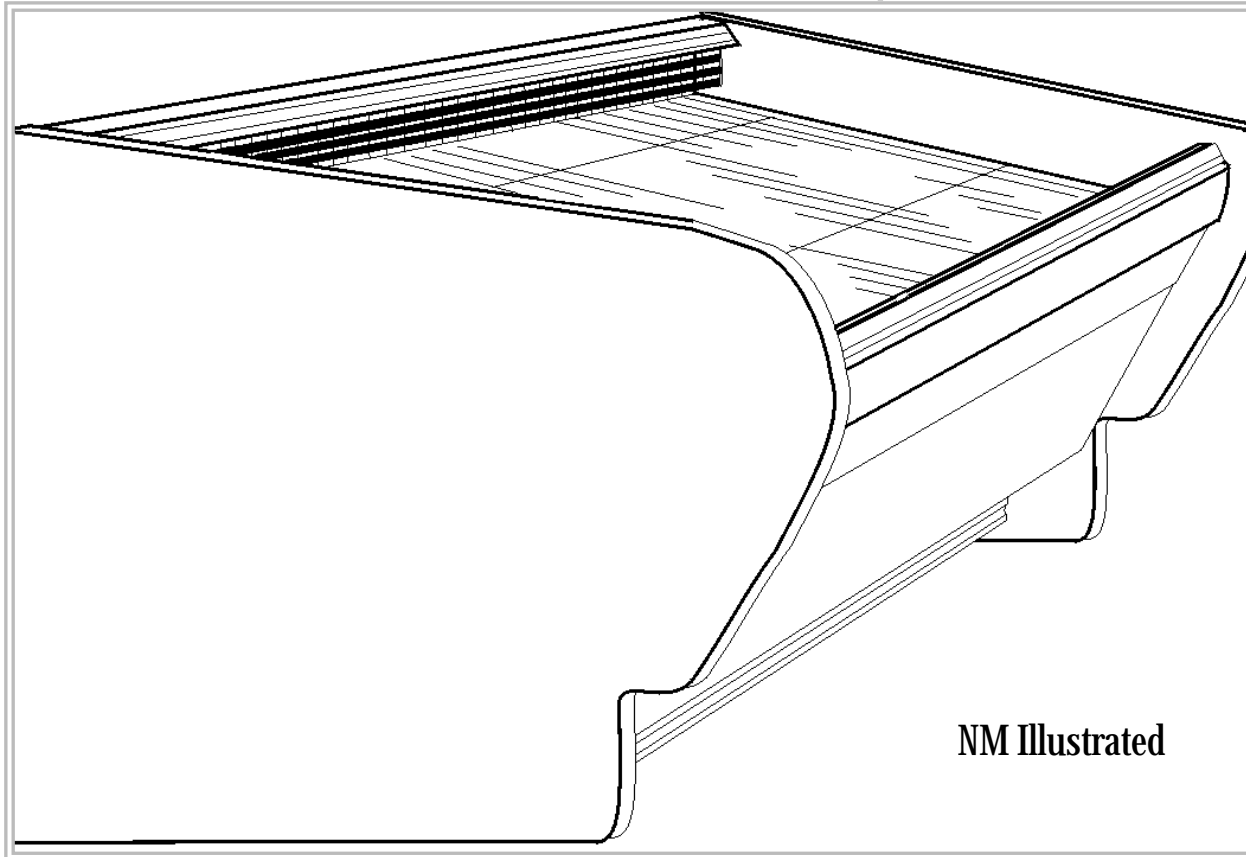


Replacement Parts

Advantage^{series}



NM Illustrated

Multi-Shelf Meat/Deli Merchandiser

Production began December 8, 2000

9000594	NM6	Med-Temp	6' Top Display Meat Merchandiser w/Glass
9000595	NM8	Med-Temp	8' Top Display Meat Merchandiser w/Glass
9000596	NM12	Med-Temp	12' Top Display Meat Merchandiser w/Glass
9000597	NMG6	Med-Temp	6' Top Display Meat Merchandiser
9000598	NMG8	Med-Temp	8' Top Display Meat Merchandiser
9000599	NMG12	Med-Temp	12' Top Display Meat Merchandiser

NM • NMG



Issue date: APRIL 2001

replaces issue:

Part number: 9037189

Revision:

Tyler Refrigeration Corporation Niles, MI 49120
Parts information subject to change without notice
Printed in U.S.A.

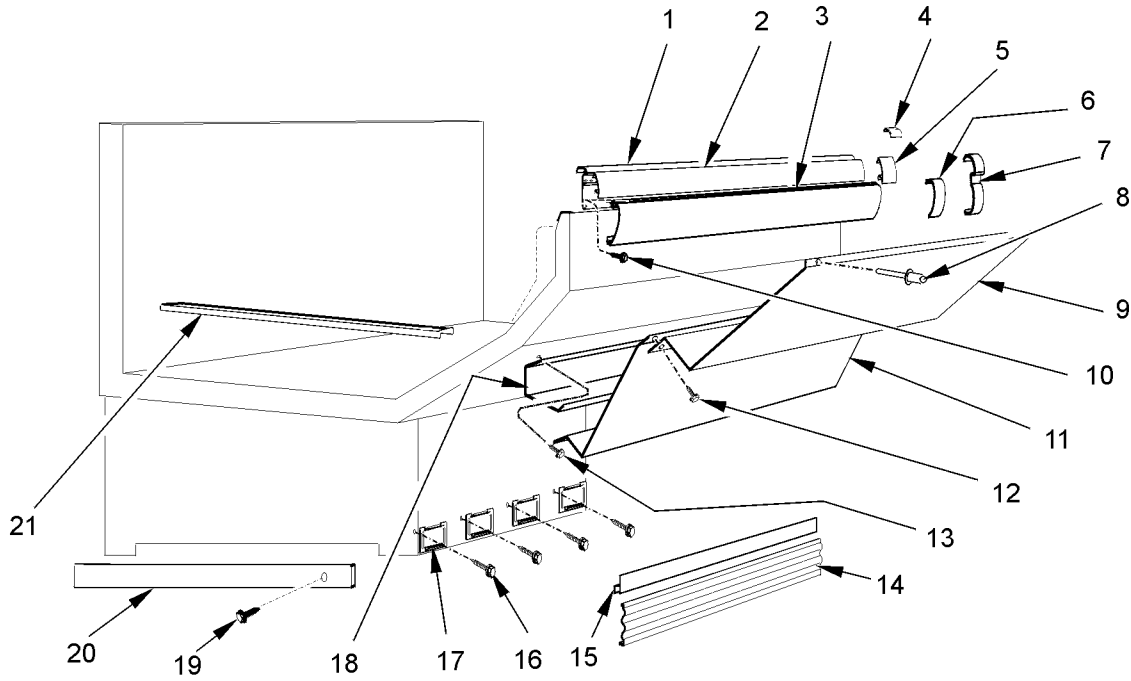


CONTENTS

	<u>Page</u>
Cladding, Covers and Trims	C1-C8
Structural Components	
Ducts, Rear Risers, Z-Bars and Trays	S1, S2
Patch Ends, Partitions and Dividers	
Solid Patch Ends	S3-S6
Electrical System Components	
Wiring Harnesses	
Wiring and Components	E1
Fan Systems	E2
Refrigeration System Components	
Coil Assemblies	R1
Electric Defrost	R2
Optional Hot Gas Defrost	R3
Self-Contained Condensing Units	R4
Optional Case Accessories	
Shelf Assemblies	A1
Screens, Dividers, Fences and Trays	A2
Thermometers	A3



CLADDING, COVERS AND TRIMS



6', 8' and 12' Merchandiser

Item	Part No.	Quantity			Description	Item	Part No.	Quantity			Description	
		6'	8'	12'				6'	8'	12'		
1	+	1	1	1	Bumper Retainer	12	5183536	6	10	12	Screw	
2	9023795	1	-	-	Color Band, Ptd.	13	5183536	3	4	6	Screw	
	9023798	-	1	-	Color Band, Ptd.		14	+	1	1	1	Kickplate
	9023800	-	-	1	Color Band, Ptd.			9041790	1	1	1	Kickplate Backer
3	+	1	1	1	Bumper	15	+	1	1	1	Kickplate Extension [OPTL]	
4	9040223	1	1	1	Color Band Backer, Ptd.	16	5183536	6	8	8	Screw	
5	9025316	1	1	1	Bumper Retainer Backer	17	9041329	3	4	4	Kickplate Support	
6	+	1	1	1	Bumper Backer	18	9025126	1	-	-	Raceway	
7	+	1	1	1	Bumper End Trim		9025127	-	1	-	Raceway	
8	5104702	3	3	3	Rivet		9025128	-	-	1	Raceway	
9	9025244	1	-	-	Upr. Front Cladding, Ptd.	5195131	1	1	1	Ground Lug		
	9025201	-	1	-	Upr. Front Cladding, Ptd.	5183536	1	1	1	Screw		
	9025202	-	-	1	Upr. Front Cladding, Ptd.	19	5048626	6	6	6	Screw (3 per side)	
10	9025833	16	16	24	Shoulder Screw	20	9022459	1	1	1	LH End Base Close-off	
11	9025246	1	-	-	Lwr. Front Cladding, Ptd.	21	9022466	1	1	1	RH End Base Close-off	
	9025203	-	1	-	Lwr. Front Cladding, Ptd.		9025959	1	1	1	Horizontal End Trim	
	9025204	-	-	1	Lwr. Front Cladding, Ptd.							

+ See pages C2 thru C4 for parts breakdown per color.



CLADDING, COVERS AND TRIMS - (CONT'D)

NM - 6'

**Bumper Retainer [Item 1]
Without Partition
(72.062"):**

Part No.	Color
9025487	White
9025500	Bone White
9025513	Misty Gray
9025526	Pearl
9025539	Oatmeal
9025552	Soft Sand
9025566	Chromium
9025579	Cool Gray
9025592	Oyster
9025605	Black
9028930	Steel Gray
9031787	Chocolate
9031814	Mocha
9031868	Stone

**With Partition
(73.062"):**

Part No.
9026929
9026930
9026931
9026932
9026933
9026934
9026935
9026936
9026937
9026938
9028932
9031789
9031816
9031870

Bumper End Trim [Item 7]

Part No.	Color
9027220	White
9027221	Bone White
9027222	Misty Gray
9027223	Pearl
9027224	Oatmeal
9027225	Soft Sand
9027226	Chromium
9027227	Cool Gray
9027228	Oyster
9027229	Black
9028882	Steel Gray
9034333	Chocolate
9034334	Mocha
9034335	Stone
9023195	RH Bmpr Pusher Brkt
9028082	LH Bmpr Pusher Brkt
5053985	Screw (2 per brkt)

Bumper Backer [Item 6]

Part No.	Color
9025023	White
9025028	Bone White
9025035	Misty Gray
9025038	Pearl
9025041	Oatmeal
9025253	Soft Sand
9025258	Chromium
9025265	Cool Gray
9025268	Oyster
9025271	Black
9028883	Steel Gray
9031884	Chocolate
9031885	Mocha
9031886	Stone

**Bumper [Item 3]
Without Partition
(72.062"):**

Part No.	Color
9025030	White
9025260	Bone White
9025281	Misty Gray
9025302	Pearl
9025323	Oatmeal
9025344	Soft Sand
9025365	Chromium
9025386	Cool Gray
9025407	Oyster
9025428	Black
9028898	Steel Gray
9031679	Chocolate
9031716	Mocha
9031753	Stone

**With Partition
(73.062"):**

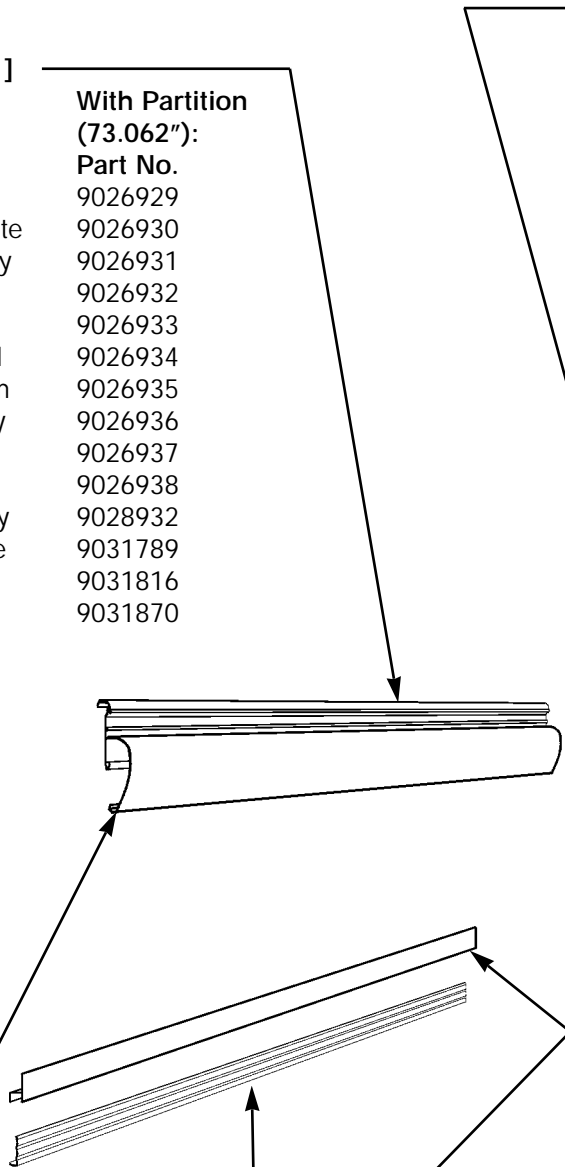
Part No.
9027149
9027150
9027151
9027152
9027153
9027154
9027155
9027156
9027157
9027158
9028900
9031681
9031718
9031755

Optional Kickplate Extension [Item 15]

Without Partition (72.063")		With Partition (73.063")
Part No.	Color	Part No.
9042832	Cool Gray	9042840
9042833	Black	9042841
9042834	Pearl	9042842
9042835	Steel Gray	9042843

Kickplate [Item 14]

Without Partition (72.063")		With Partition (73.063")
Part No.	Color	Part No.
9041645	Cool Gray	9041655
9041646	Black	9041656
9041647	Pearl	9041657
9041649	Steel Gray	9041659





CLADDING, COVERS AND TRIMS - (CONT'D)

NM - 8'

Bumper Retainer [Item 1]
Without Partition
(96.062"):

Part No.	Color
9025491	White
9025504	Bone White
9025517	Misty Gray
9025530	Pearl
9025543	Oatmeal
9025557	Soft Sand
9025570	Chromium
9025583	Cool Gray
9025596	Oyster
9025609	Black
9028935	Steel Gray
9031792	Chocolate
9031819	Mocha
9031873	Stone

With Partition
(97.062"):

Part No.
9026949
9026950
9026951
9026952
9026953
9026954
9026955
9026956
9026957
9026958
9028937
9031794
9031821
9031875

Bumper End Trim [Item 7]

Part No.	Color
9027220	White
9027221	Bone White
9027222	Misty Gray
9027223	Pearl
9027224	Oatmeal
9027225	Soft Sand
9027226	Chromium
9027227	Cool Gray
9027228	Oyster
9027229	Black
9028882	Steel Gray
9034333	Chocolate
9034334	Mocha
9034335	Stone
9023195	RH Bmpr Pusher Brkt
9028082	LH Bmpr Pusher Brkt
5053985	Screw (2 per brkt)

Bumper Backer [Item 6]

Part No.	Color
9025023	White
9025028	Bone White
9025035	Misty Gray
9025038	Pearl
9025041	Oatmeal
9025253	Soft Sand
9025258	Chromium
9025265	Cool Gray
9025268	Oyster
9025271	Black
9028883	Steel Gray
9031884	Chocolate
9031885	Mocha
9031886	Stone

Bumper [Item 3]
Without Partition
(96.062"):

Part No.	Color
9025036	White
9025266	Bone White
9025287	Misty Gray
9025308	Pearl
9025329	Oatmeal
9025350	Soft Sand
9025371	Chromium
9025392	Cool Gray
9025413	Oyster
9025434	Black
9028905	Steel Gray
9031687	Chocolate
9031724	Mocha
9031761	Stone

With Partition
(97.062"):

Part No.
9027179
9027180
9027181
9027182
9027183
9027184
9027185
9027186
9027187
9027188
9028907
9031689
9031726
9031763

Optional Kickplate Extension [Item 15]

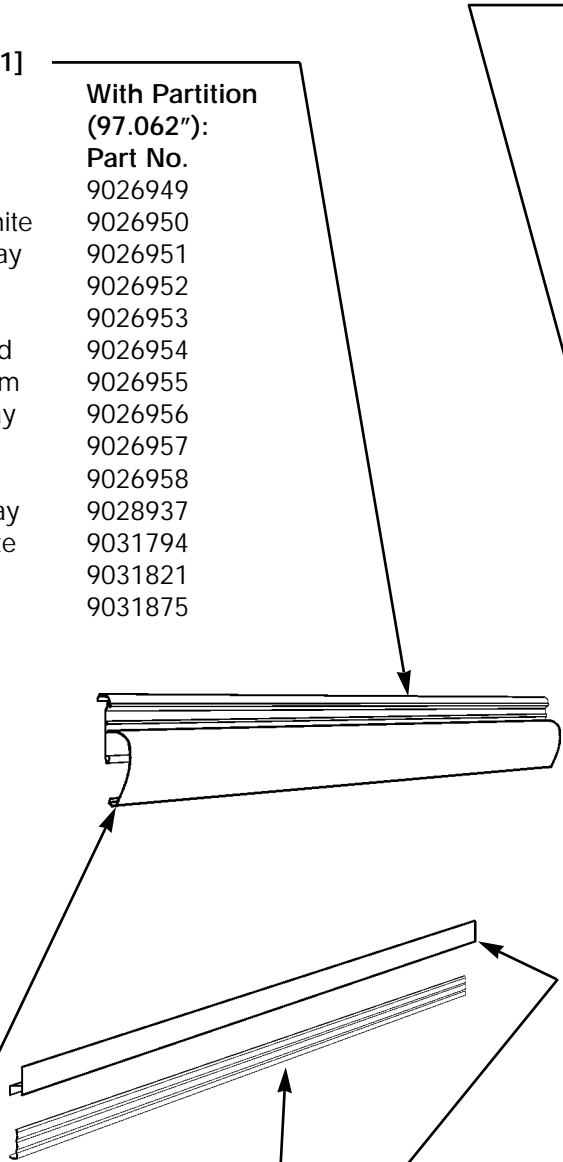
Without Partition (96.063") With Partition (97.063")

Part No.	Color	Part No.
9042868	Cool Gray	9042876
9042869	Black	9042877
9042870	Pearl	9042878
9042871	Steel Gray	9042879

Kickplate [Item 14]

Without Partition (96.063") With Partition (97.063")

Part No.	Color	Part No.
9041690	Cool Gray	9041700
9041691	Black	9041701
9041692	Pearl	9041702
9041694	Steel Gray	9041704





CLADDING, COVERS AND TRIMS - (CONT'D)

NM - 12'

**Bumper Retainer [Item 1]
Without Partition
(144.062"):**

Part No.	Color
9025493	White
9025506	Bone White
9025519	Misty Gray
9025532	Pearl
9025545	Oatmeal
9025559	Soft Sand
9025572	Chromium
9025585	Cool Gray
9025598	Oyster
9025611	Black
9028940	Steel Gray
9031797	Chocolate
9031824	Mocha
9031878	Stone

**With Partition
(145.062"):**

Part No.
9026969
9026970
9026971
9026972
9026973
9026974
9026975
9026976
9026977
9026978
9028942
9031799
9031826
9031880

Bumper End Trim [Item 7]

Part No.	Color
9027220	White
9027221	Bone White
9027222	Misty Gray
9027223	Pearl
9027224	Oatmeal
9027225	Soft Sand
9027226	Chromium
9027227	Cool Gray
9027228	Oyster
9027229	Black
9028882	Steel Gray
9034333	Chocolate
9034334	Mocha
9034335	Stone
9023195	RH Bmpr Pusher Brkt
9028082	LH Bmpr Pusher Brkt
5053985	Screw (2 per brkt)

Bumper Backer [Item 6]

Part No.	Color
9025023	White
9025028	Bone White
9025035	Misty Gray
9025038	Pearl
9025041	Oatmeal
9025253	Soft Sand
9025258	Chromium
9025265	Cool Gray
9025268	Oyster
9025271	Black
9028883	Steel Gray
9031884	Chocolate
9031885	Mocha
9031886	Stone

**Bumper [Item 3]
Without Partition
(144.062"):**

Part No.	Color
9025039	White
9025269	Bone White
9025290	Misty Gray
9025311	Pearl
9025332	Oatmeal
9025353	Soft Sand
9025374	Chromium
9025395	Cool Gray
9025416	Oyster
9025437	Black
9028912	Steel Gray
9031695	Chocolate
9031732	Mocha
9031769	Stone

**With Partition
(145.062"):**

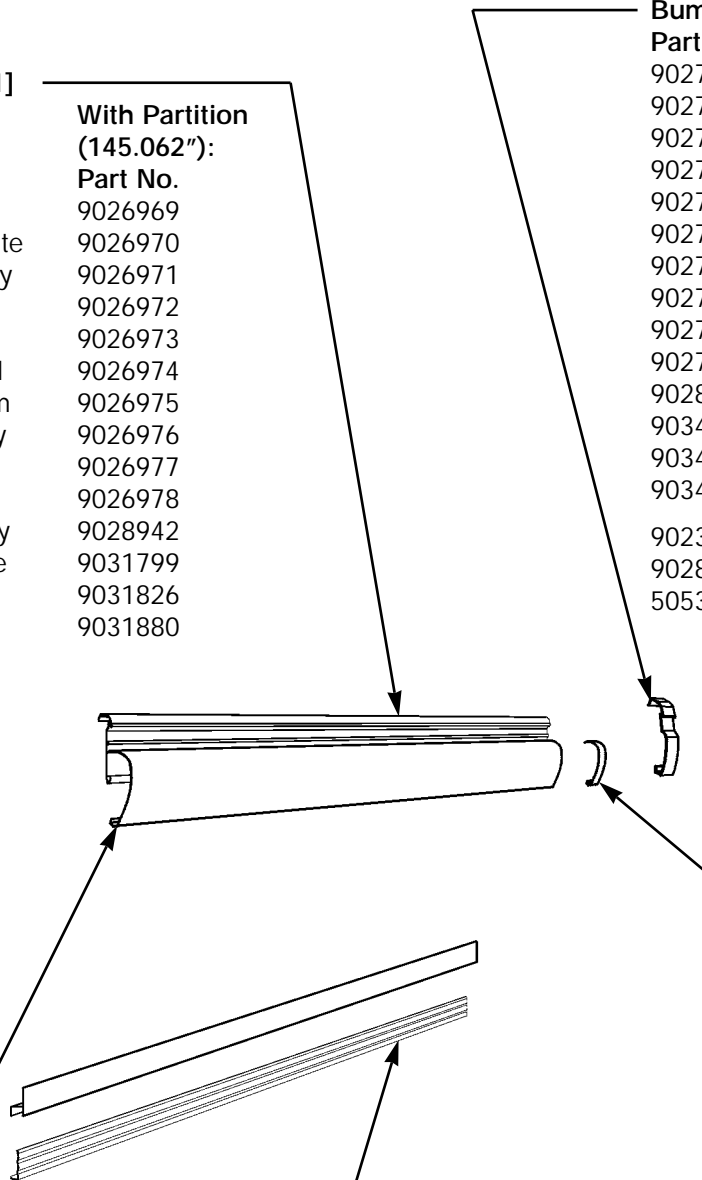
Part No.
9027199
9027200
9027201
9027202
9027203
9027204
9027205
9027206
9027207
9027208
9028914
9031697
9031734
9031771

Optional Kickplate Extension [Item 15]

Without Partition (144.063")		With Partition (145.063")
Part No.	Color	Part No.
9042896	Cool Gray	9042904
9042897	Black	9042905
9042898	Pearl	9042906
9042899	Steel Gray	9042907

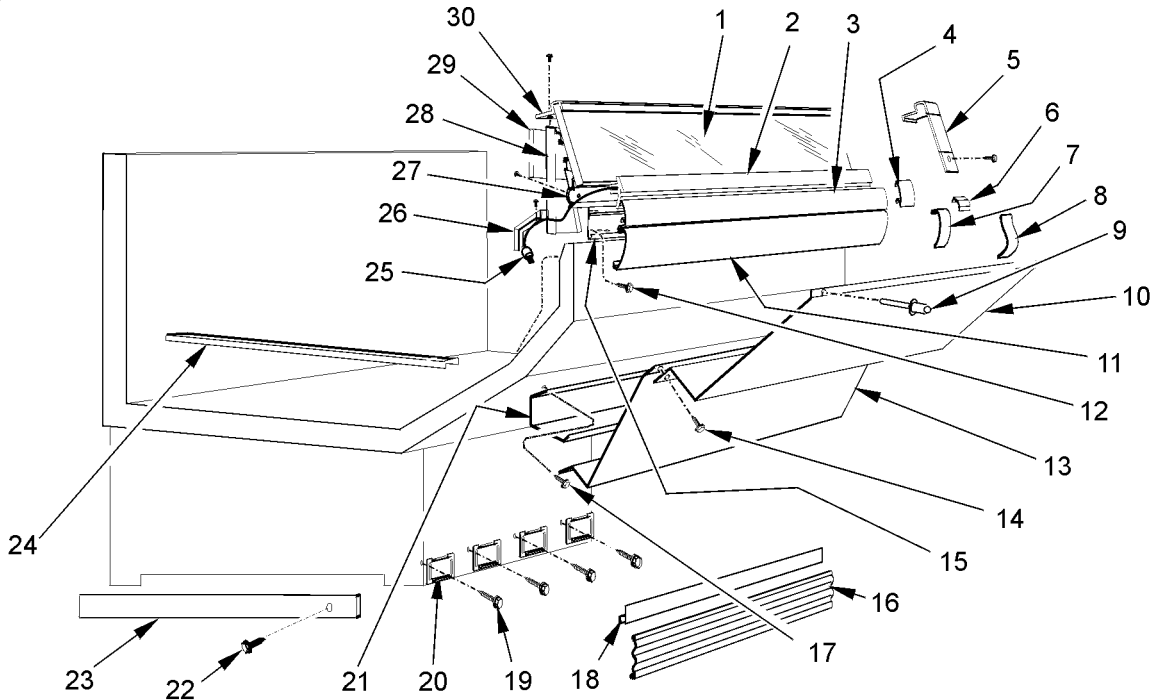
Kickplate [Item 14]

Without Partition (144.063")		With Partition (145.063")
Part No.	Color	Part No.
9041730	Cool Gray	9041740
9041731	Black	9041741
9041732	Pearl	9041742
9041734	Steel Gray	9041744





CLADDING, COVERS AND TRIMS - (CONT'D)



6', 8' and 12' Merchandiser

Item	Part No.	Quantity			Description	Item	Part No.	Quantity			Description
		6'	8'	12'				6'	8'	12'	
1	9026030	1	-	-	Thermo Glass	9041790	1	1	1	Kickplate Backer	
	9026031	-	1	-	Thermo Glass	17	5183536	3	4	6	Screw
	9026032	-	-	1	Thermo Glass	18	+	1	1	1	Kickplate Extension [OPTL]
2	9026024	1	-	-	Front Glass Retainer	19	5183536	6	8	8	Screw
	9026025	-	1	-	Front Glass Retainer	20	9041329	3	4	4	Kickplate Support
	9026026	-	-	1	Front Glass Retainer	21	9025126	1	-	-	Raceway
3	9020968	1	-	-	Color Band, Ptd.	9025127	-	1	-	-	Raceway
	9020971	-	1	-	Color Band, Ptd.	9025128	-	-	1	-	Raceway
	9020972	-	-	1	Color Band, Ptd.	5195131	1	1	1	1	Ground Lug
4	9025982	1	1	1	Color Band Backer, Ptd.	5183536	1	1	1	1	Screw
5	9025959	1	1	1	Glass Joint Trim	22	5048626	6	6	6	Screw
	5120206	1	1	1	Trim Screw	22	9022459	1	1	1	LH End Base Close-off
6	9025316	1	1	1	Bumper Retainer Backer	9022466	1	1	1	1	RH End Base Close-off
7	+	1	1	1	Bumper Backer	24	9025959	1	1	1	Horizontal End Trim
8	+	1	1	1	Bumper End Trim	25	5123837	1	1	1	Anti-Sweat Harness
9	5104702	3	3	3	Rivet	26	5240161	1	1	1	Anti-Sweat Cover
10	9025245	1	-	-	Upper Front Cladding	27	5207687	1	-	-	Rear Retainer
11	+	1	1	1	Bumper	5201014	-	1	-	-	Rear Retainer
12	9025833	12	12	12	Shoulder Screw	5201015	-	-	1	-	Rear Retainer
13	9025246	1	-	-	Lower Front Cladding	5203018	5	8	12	-	Screw
	9025203	-	1	-	Lower Front Cladding	28	5200932	1	1	1	LH Glass Support
	9025204	-	-	1	Lower Front Cladding	5200931	1	1	1	1	RH Glass Support
14	5183536	6	10	12	Screw	5203148	1	1	2	-	Glass Rest Weld Assy.
15	9025052	1	-	-	Bumper Retainer	29	5221308	2	-	-	Barrier Glass
	9025058	-	1	-	Bumper Retainer	5201011	-	2	3	-	Barrier Glass
	9025062	-	-	1	Bumper Retainer	30	9025973	1	-	-	Glass Trim Rail
16	+	1	1	1	Kickplate	9025974	-	1	-	-	Glass Trim Rail
						9025975	-	-	1	-	Glass Trim Rail
						5102643	3	4	4	-	Screw

+ See pages C6 thru C8 for parts breakdown per color.



CLADDING, COVERS AND TRIMS - (CONT'D)

NMG - 6'

Bumper [Item 11] Without Partition (72.062"):

Part No.	Color
9025030	White
9025260	Bone White
9025281	Misty Gray
9025302	Pearl
9025323	Oatmeal
9025344	Soft Sand
9025365	Chromium
9025386	Cool Gray
9025407	Oyster
9025428	Black
9028898	Steel Gray
9031679	Chocolate
9031716	Mocha
9031753	Stone

With Partition (73.062"):

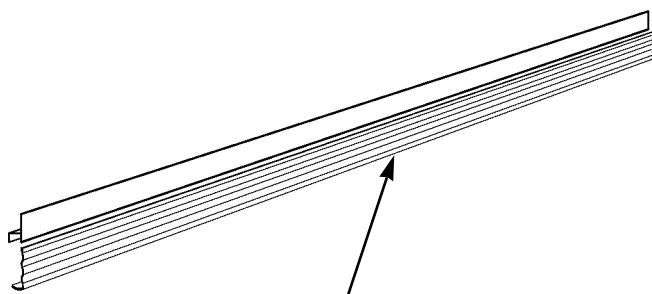
Part No.
9027149
9027150
9027151
9027152
9027153
9027154
9027155
9027156
9027157
9027158
9028900
9031681
9031718
9031755

Bumper End Trim [Item 8]

Part No.	Color
9028010	White
9028011	Bone White
9028012	Misty Gray
9028013	Pearl
9028014	Oatmeal
9028015	Soft Sand
9028016	Chromium
9028017	Cool Gray
9028018	Oyster
9028019	Black
9028880	Steel Gray
9034330	Chocolate
9034331	Mocha
9034332	Stone
9023195	RH Bmpr Pusher Brkt
9028082	LH Bmpr Pusher Brkt
5053985	Screw (2 per brkt)

Bumper Backer [Item 7]

Part No.	Color
9025023	White
9025028	Bone White
9025035	Misty Gray
9025038	Pearl
9025041	Oatmeal
9025253	Soft Sand
9025258	Chromium
9025265	Cool Gray
9025268	Oyster
9025271	Black
9028883	Steel Gray
9031884	Chocolate
9031885	Mocha
9031886	Stone



Kickplate [Item 16] Without Partition (72.063")

Part No.	Color
9041645	Cool Gray
9041646	Black
9041647	Pearl
9041649	Steel Gray

With Partition (73.063")

Part No.
9041655
9041656
9041657
9041659

Optional Kickplate Extension [Item 18] Without Partition (72.063")

Part No.	Color
9042832	Cool Gray
9042833	Black
9042834	Pearl
9042835	Steel Gray

With Partition (73.063")

Part No.
9042840
9042841
9042842
9042843



CLADDING, COVERS AND TRIMS - (CONT'D)

NMG - 8'

Bumper [Item 11]

Without Partition
(96.062"):

Part No.	Color
9025036	White
9025266	Bone White
9025287	Misty Gray
9025308	Pearl
9025329	Oatmeal
9025350	Soft Sand
9025371	Chromium
9025392	Cool Gray
9025413	Oyster
9025434	Black
9028905	Steel Gray
9031687	Chocolate
9031724	Mocha
9031761	Stone

With Partition
(97.062"):

Part No.
9027179
9027180
9027181
9027182
9027183
9027184
9027185
9027186
9027187
9027188
9028907
9031689
9031726
9031763

Bumper End Trim [Item 8]

Part No.	Color
9028010	White
9028011	Bone White
9028012	Misty Gray
9028013	Pearl
9028014	Oatmeal
9028015	Soft Sand
9028016	Chromium
9028017	Cool Gray
9028018	Oyster
9028019	Black
9028880	Steel Gray
9034330	Chocolate
9034331	Mocha
9034332	Stone

9023195	RH Bmpr Pusher Brkt
9028082	LH Bmpr Pusher Brkt
5053985	Screw (2 per brkt)

Bumper Backer [Item 7]

Part No.	Color
9025023	White
9025028	Bone White
9025035	Misty Gray
9025038	Pearl
9025041	Oatmeal
9025253	Soft Sand
9025258	Chromium
9025265	Cool Gray
9025268	Oyster
9025271	Black
9028883	Steel Gray
9031884	Chocolate
9031885	Mocha
9031886	Stone

Kickplate [Item 16]

Without Partition
(96.063")

Part No.	Color
9041690	Cool Gray
9041691	Black
9041692	Pearl
9041694	Steel Gray

With Partition
(97.063")

Part No.
9041700
9041701
9041702
9041704

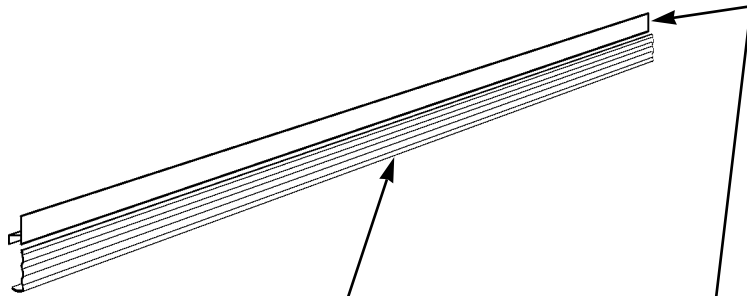
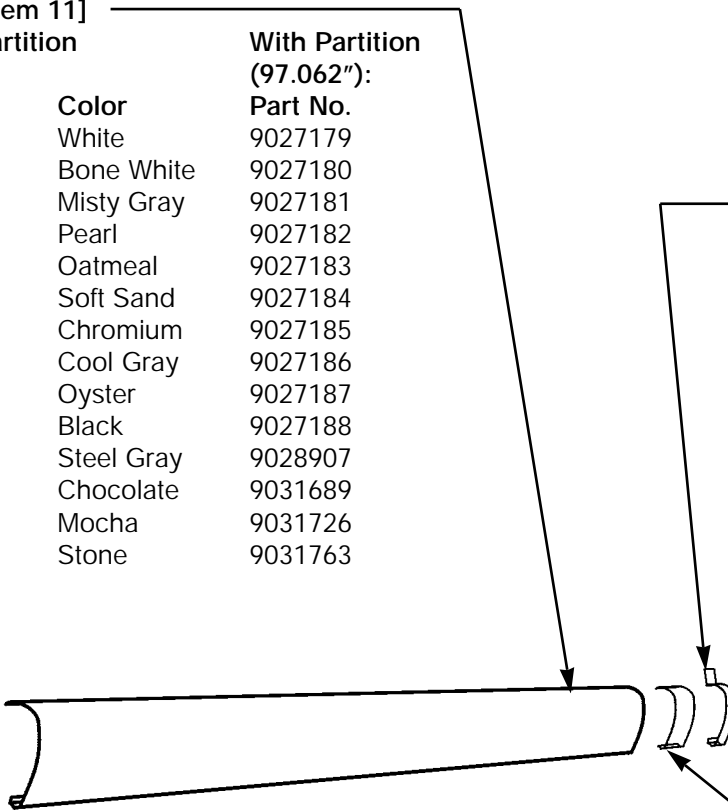
Optional Kickplate Extension [Item 18]

Without Partition
(96.063")

Part No.	Color
9042868	Cool Gray
9042869	Black
9042870	Pearl
9042871	Steel Gray

With Partition
(97.063")

Part No.
9042876
9042877
9042878
9042879





CLADDING, COVERS AND TRIMS - (CONT'D)

NMG - 12'

Bumper [Item 16] Without Partition (144.062"):

Part No.	Color
9025039	White
9025269	Bone White
9025290	Misty Gray
9025311	Pearl
9025332	Oatmeal
9025353	Soft Sand
9025374	Chromium
9025395	Cool Gray
9025416	Oyster
9025437	Black
9028912	Steel Gray
9031695	Chocolate
9031732	Mocha
9031769	Stone

With Partition (145.062"):

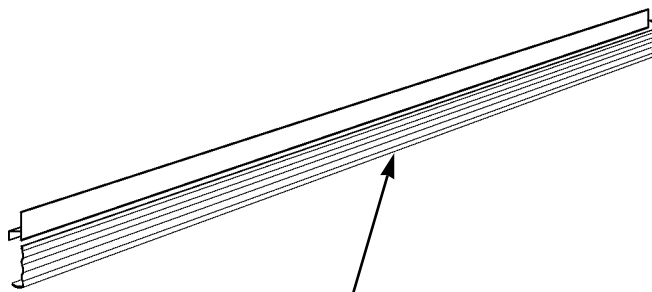
Part No.
9027199
9027200
9027201
9027202
9027203
9027204
9027205
9027206
9027207
9027208
9028914
9031697
9031734
9031771

Bumper End Trim [Item 15]

Part No.	Color
9028010	White
9028011	Bone White
9028012	Misty Gray
9028013	Pearl
9028014	Oatmeal
9028015	Soft Sand
9028016	Chromium
9028017	Cool Gray
9028018	Oyster
9028019	Black
9028880	Steel Gray
9034330	Chocolate
9034331	Mocha
9034332	Stone
9023195	RH Bmpr Pusher Brkt
9028082	LH Bmpr Pusher Brkt
5053985	Screw (2 per brkt)

Bumper Backer [Item 14]

Part No.	Color
9025023	White
9025028	Bone White
9025035	Misty Gray
9025038	Pearl
9025041	Oatmeal
9025253	Soft Sand
9025258	Chromium
9025265	Cool Gray
9025268	Oyster
9025271	Black
9028883	Steel Gray
9031884	Chocolate
9031885	Mocha
9031886	Stone



Kickplate [Item 16] Without Partition (144.063")

Part No.	Color
9041730	Cool Gray
9041731	Black
9041732	Pearl
9041734	Steel Gray

With Partition (145.063")

Part No.
9041740
9041741
9041742
9041744

Optional Kickplate Extension [Item 18] Without Partition (144.063")

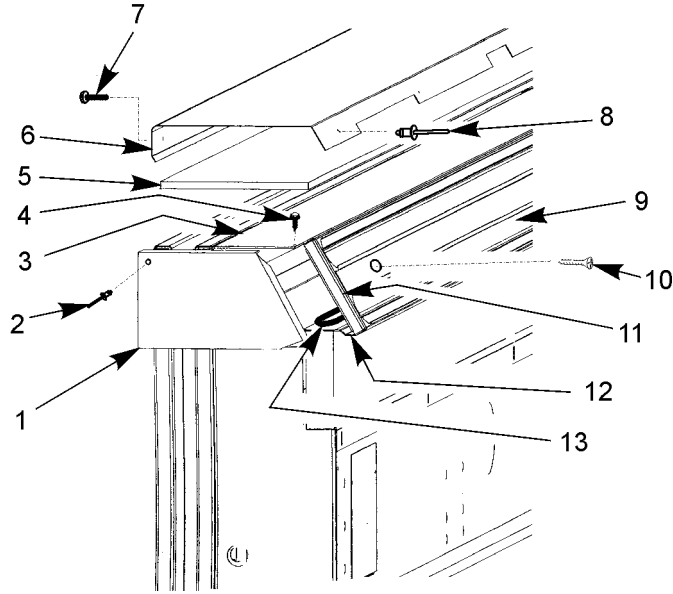
Part No.	Color
9042896	Cool Gray
9042897	Black
9042898	Pearl
9042899	Steel Gray

With Partition (145.063")

Part No.
9042904
9042905
9042906
9042907



STRUCTURAL COMPONENTS
REAR RISERS - NM-NMG

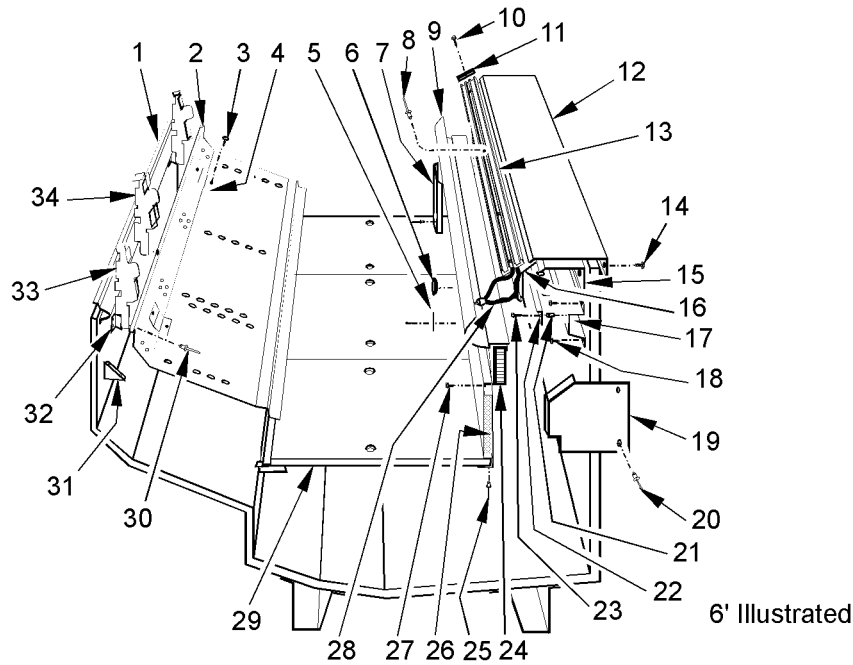


6', 8' and 12' Merchandiser

Item	Part No.	Quantity			Description
		6'	8'	12'	
1	5212150	1	1	1	RR Riser LH End Close-off
	5212149	1	1	1	RR Riser RH End Close-off
2	5104702	2	2	2	Rivet
	5949229	1	-	-	Riser Support
	5199813	-	1	-	Riser Support
3	5199814	-	-	1	Riser Support
	5183536	5	7	10	Screw (per Support)
	9024714	1	-	-	Upper RR Riser Filler
4	5199816	-	1	-	Upper RR Riser Filler
	5199815	-	-	1	Upper RR Riser Filler
	5949230	1	-	-	Upper RR Riser Trim
5	5199817	-	1	-	Upper RR Riser Trim
	5199818	-	-	1	Upper RR Riser Trim
	5205439	6	7	10	Screw (per Trim Rear)
6	5104702	4	6	6	Rivet (per Trim Front)
	5949231	1	-	-	Card Moulding
	5120107	-	1	-	Card Moulding
7	5120108	-	-	1	Card Moulding
	9602398	5	6	8	Screw
	5122282	2	2	2	Card Moulding End Trim
8	9043873	1	-	-	Lower RR Riser Trim
	5200627	-	1	-	Lower RR Riser Trim
	5200628	-	-	1	Lower RR Riser Trim
9	5183536	5	10	14	Screw (per Trim)
	5227379	1	-	-	Heater Wire - 44 ohms/ft.
	5124216	-	1	-	Heater Wire - 25 ohms/ft.
10	5124217	-	-	1	Heater Wire - 11 ohms/ft.
	5057259	1	1	1	Alum. Tape
	9036877	1	1	1	Foam Tape
11	5124331	1	1	1	Snap Bushing - 1" Dia.



STRUCTURAL COMPONENTS - (CONT'D)
 DUCTS, Z-BARS AND TRAYS - NM-NMG



6', 8' and 12' Merchandiser

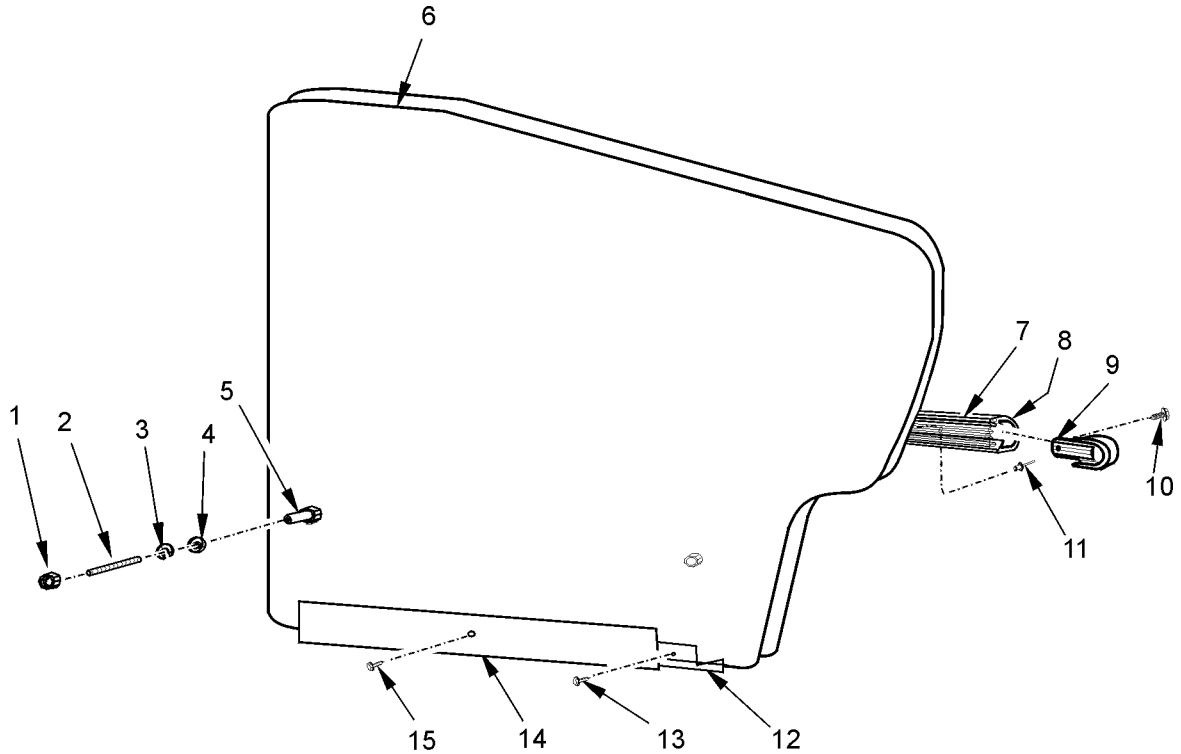
Item	Part No.	Quantity			Description	Item	Part No.	Quantity			Description	
		6'	8'	12'				6'	8'	12'		
1	5952089	1	-	-	Foam Cover	17	5199790	-	-	1	Rear Duct Filler	
	5201007	-	1	-	Foam Cover		5199816	1	1	-	Upr. Riser Duct Filler	
	5201008	-	-	1	Foam Cover		5199815	-	-	1	Upr. Riser Duct Filler	
2	5952095	1	-	-	Front Duct	18	5120943	8	10	14	Screw	
	5203040	-	1	-	Front Duct		19	5212149	1	1	1	RH End Close-off
	5203041	-	-	1	Front Duct			5212150	1	1	1	LH End Close-off
3	5619204	4	4	4	Screw	20	5104702	4	4	4	Rivet	
												21
4	5201879	2	2	2	Fr. Pull-up Hole Cvr.	22	5949234	1	-	-	Rear Air Deflector	
												5053942
5	5646033	2	2	2	Inspection Cover	23	5053943	-	-	1	Rear Air Deflector	
												5053985
6	5238710	1	1	1	Plug Button	24	5201290	3	4	6	Rear Duct Grid	
												5104702
7	5127637	1	1	1	Rear Duct Joint Trim	25	5104702	4	6	8	Rivet	
												5949245
8	9602398	6	6	8	Rivet	26	5200951	-	1	-	Rear Duct	
												5200952
9	5200627	-	1	-	Rear Lower Trim	27	5048626	4	6	8	Screw	
												5200628
10	5183536	2	2	2	Screw	28	5227379	1	-	-	Heater Wire, 44 ohm	
												5124216
11	5122282	2	2	2	Card Molding End Trim	29	5124217	-	-	1	Heater Wire, 11 ohm	
												5200111
12	5949230	1	-	-	Upper Riser Trim	30	5104702	12	15	21	Rivet	
												5199817
13	5949231	1	-	-	Card Molding	31	5202802	1	1	1	LH End Close-off	
												5120107
14	5619204	7	7	10	Screw	32	5199785	4	6	9	Front Z-Bar	
												5120108
15	5949229	1	-	-	Rear Riser Support	33	5200931	1	1	1	LH Glass Support	
												5199813
16	5949233	1	-	-	Rear Duct Filler	34	5203148	1	1	2	Glass Retainer Assy.	
												5199789



STRUCTURAL COMPONENTS - (CONT'D)

PATCH ENDS, PARTITIONS AND DIVIDERS

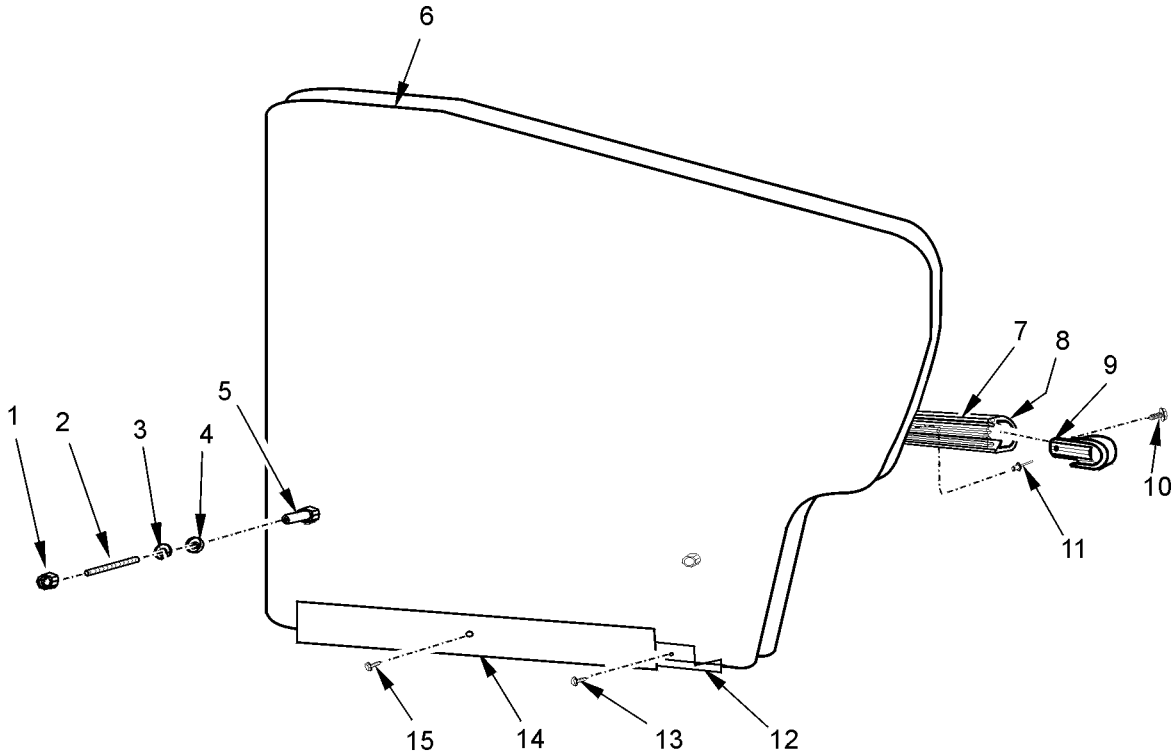
31" Solid Patch End - NM



Item	Part No.	Qty.	Description	Item	Part No.	Qty.	Description
1	5100625	2	Nut, 5/16"-18	7	9027973	1	1" End Bumper, Cool Gray - 33"
2	9022759	2	Stud, 5/16"-18 x 3"		9027974	1	1" End Bumper, Black - 33"
3	5101003	2	Lockwasher		9027975	1	1" End Bumper, Pearl - 33"
4	5100976	2	Washer		9029311	1	1" End Bumper, Pearly Gates - 33"
5	9022756	2	Threaded Insert		9023460	1	1" End Bumper, Cool Gray - 39"
6	9021089	1	RH Solid End Assy., Ptd. w/Ptd. Liner - 31"		9023461	1	1" End Bumper, Black - 39"
	9021090	1	LH Solid End Assy., Ptd. w/Ptd. Liner - 31"		9023462	1	1" End Bumper, Pearl - 39"
	9021091	1	RH Solid End Assy., Ptd. w/MB SS Liner - 31"	8	9027882	1	Mounting Retainer - 35"
	9021092	1	LH Solid End Assy., Ptd. w/MB SS Liner - 31"		9023453	1	Mounting Retainer - 41"
	9021093	1	RH Solid End Assy., Ptd. w/BRT SS Liner - 31"	9	9027743	4	End Cap, Cool Gray
	9021094	1	LH Solid End Assy., Ptd. w/BRT SS Liner - 31"		9027744	4	End Cap, Black
	9024193	1	RH Solid Bench Assy., Ptd. w/Ptd. Liner - 31"		9027742	4	End Cap, Pearl
	9024194	1	LH Solid Bench Assy., Ptd. w/Ptd. Liner - 31"		9026528	4	End Cap, Pearly Gates
	9024195	1	RH Solid Bench Assy., Ptd. w/MB SS Liner - 31"		9310881	4	End Cap, Steel Gray
	9024196	1	LH Solid Bench Assy., Ptd. w/MB SS Liner - 31"	10	5183536	4	Screw
	9024197	1	RH Solid Bench Assy., Ptd. w/BRT SS Liner - 31"	11	5104702	21	Rivet
	9024198	1	LH Solid Bench Assy., Ptd. w/BRT SS Liner - 31"	12	9301372	1	End Protector Plate
					5186737	A/R	Foam Gasket
				13	1309067	3	Screw
				14	9022466	1	LH End Base Close-off, Ptd.
					9022459	1	RH End Base Close-off, Ptd.
				15	5048626	2	Screw



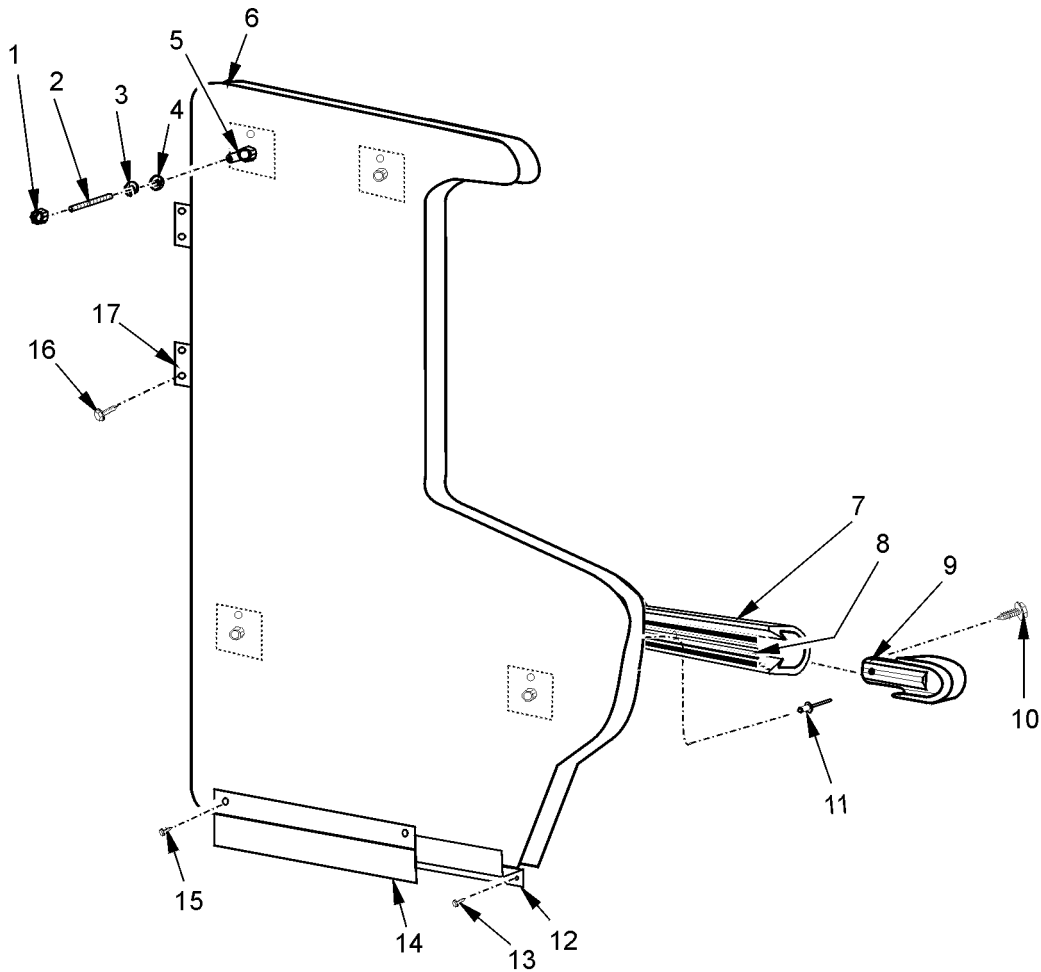
STRUCTURAL COMPONENTS - (CONT'D)
 PATCH ENDS, PARTITIONS AND DIVIDERS
 35" Solid Patch End - NMG



Item	Part No.	Qty.	Description	Item	Part No.	Qty.	Description
1	5100625	2	Nut, 5/16"-18	8	9025960	1	RH Glass End Trim
2	9022759	2	Stud, 5/16"-18 x 3"		9025961	1	LH Glass End Trim
3	5101003	2	Lockwasher		5100517	1	Screw
4	5100976	2	Washer	9	9027973	1	1" End Bmpr, Cool Gray - 33"
5	9022756	2	Threaded Insert		9027974	1	1" End Bmpr, Black - 33"
6	9021105	1	RH Solid End Assy., Ptd. w/Ptd. Liner - 35"		9027975	1	1" End Bmpr, Pearl - 33"
	9021106	1	LH Solid End Assy., Ptd. w/Ptd. Liner - 35"		9029311	1	1" End Bmpr, Pearly Gates - 33"
	9021107	1	RH Solid End Assy., Ptd. w/MB SS Liner - 35"		9023460	1	1" End Bmpr, Cool Gray - 39"
	9021108	1	LH Solid End Assy., Ptd. w/MB SS Liner - 35"		9023461	1	1" End Bmpr, Black - 39"
	9021109	1	RH Solid End Assy., Ptd. w/BRT SS Liner - 35"		9023462	1	1" End Bmpr, Pearl - 39"
	9021110	1	LH Solid End Assy., Ptd. w/BRT SS Liner - 35"		9023459	1	1" End Bmpr, Pearly Gates - 39"
6	9024217	1	RH Solid Bench Assy., Ptd. w/Ptd. Liner - 35"		9310876	1	1" End Bmpr, Steel Gray - 39"
	9024218	1	LH Solid Bench Assy., Ptd. w/Ptd. Liner - 35"	10	9027882	1	Mounting Retainer - 35"
	9024219	1	RH Solid Bench Assy., Ptd. w/MB SS Liner - 35"		9023453	1	Mounting Retainer - 41"
	9024220	1	LH Solid Bench Assy., Ptd. w/MB SS Liner - 35"	11	9027743	4	End Cap, Cool Gray
	9024221	1	RH Solid Bench Assy., Ptd. w/BRT SS Liner - 35"		9027744	4	End Cap, Black
	9024222	1	LH Solid Bench Assy., Ptd. w/BRT SS Liner - 35"		9027742	4	End Cap, Pearl
					9026528	4	End Cap, Pearly Gates
					9310881	4	End Cap, Steel Gray
				12	5183536	4	Screw
				13	5104702	21	Rivet
				14	9301372	1	End Protector Plate
					5186737	A/R	Foam Gasket
				15	1309067	3	Screw
				16	9022466	1	LH End Base Close-off, Ptd.
					9022459	1	RH End Base Close-off, Ptd.
				17	5048626	2	Screw



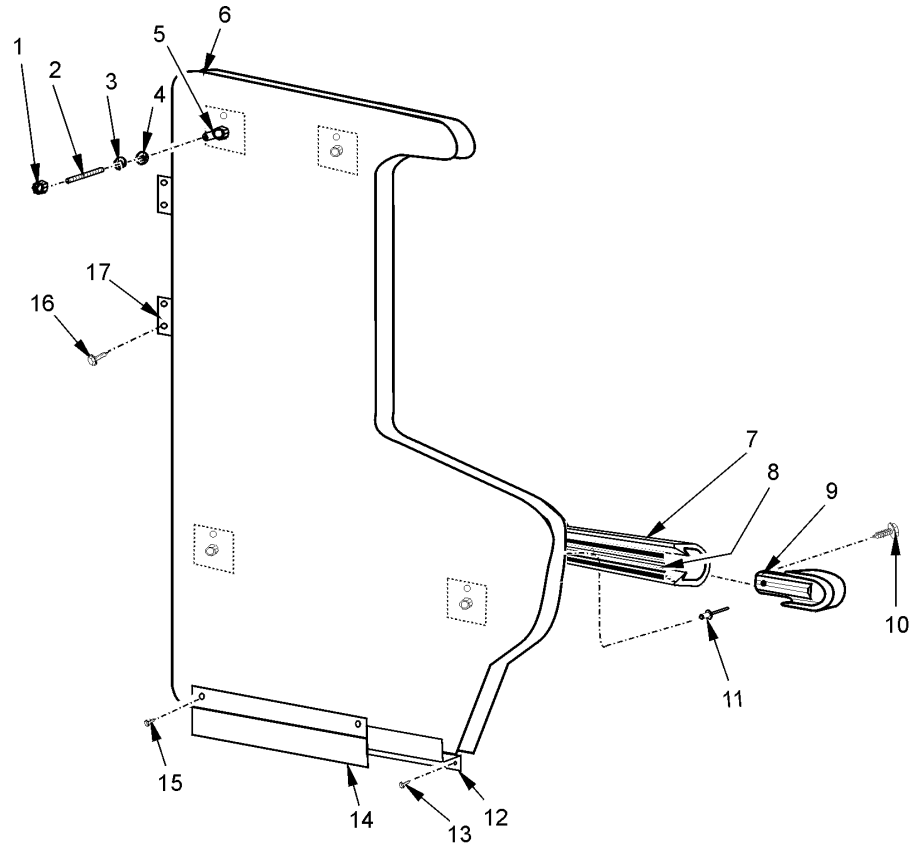
STRUCTURAL COMPONENTS - (CONT'D)
 PATCH ENDS, PARTITIONS AND DIVIDERS
 31" Contoured Solid Patch End - NM



Item	Part No.	Qty.	Description	Item	Part No.	Qty.	Description
1	5100625	4	Nut, 5/16"-18	8	9027882	1	Mounting Retainer - 35"
2	9022759	2	Stud, 5/16"-18 x 3"		9023453	1	Mounting Retainer - 41"
3	5101003	4	Lockwasher	9	9027743	4	End Cap, Cool Gray
4	5100976	4	Washer		9027744	4	End Cap, Black
5	9022756	4	Threaded Insert		9027742	4	End Cap, Pearl
	9030558	2	Stud, 5/16"-18 x 2"		9026528	4	End Cap, Pearly Gates
6	9021095	1	RH Contoured End Assy., Ptd.		9310881	4	End Cap, Steel Gray
			w/Ptd. Liner - 31" (canopy)	10	5183536	4	Screw
	9021096	1	LH Contoured End Assy., Ptd.	11	5104702	21	Rivet
			w/Ptd. Liner - 31" (canopy)	12	9301372	1	End Protector Plate
	9024199	1	RH Bench Assy., Ptd - 31"		5186737	A/R	Foam Gasket
	9027653	1	LH Bench Assy. Ptd. - 31"	13	1309067	3	Screw
7	9027973	1	1" End Bmpr, Cool Gray - 33"	14	9022466	1	LH End Base Close-off, Ptd.
	9027974	1	1" End Bmpr, Black - 33"		9022459	1	RH End Base Close-off, Ptd.
	9027975	1	1" End Bmpr, Pearl - 33"	15	5048626	2	Screw
	9029311	1	1" End Bmpr, Pearly Gates - 33"	16	5183536	4	Screw
	9023460	1	1" End Bmpr, Cool Gray - 39"	17	9030532	2	End Angle Support
	9023461	1	1" End Bmpr, Black - 39"				
	9023462	1	1" End Bmpr, Pearl - 39"				
	9023459	1	1" End Bmpr, Pearly Gates - 39"				
	9310876	1	1" End Bmpr, Steel Gray - 39"				



STRUCTURAL COMPONENTS - (CONT'D)
 PATCH ENDS, PARTITIONS AND DIVIDERS
 35" Contoured Solid Patch End - NMG



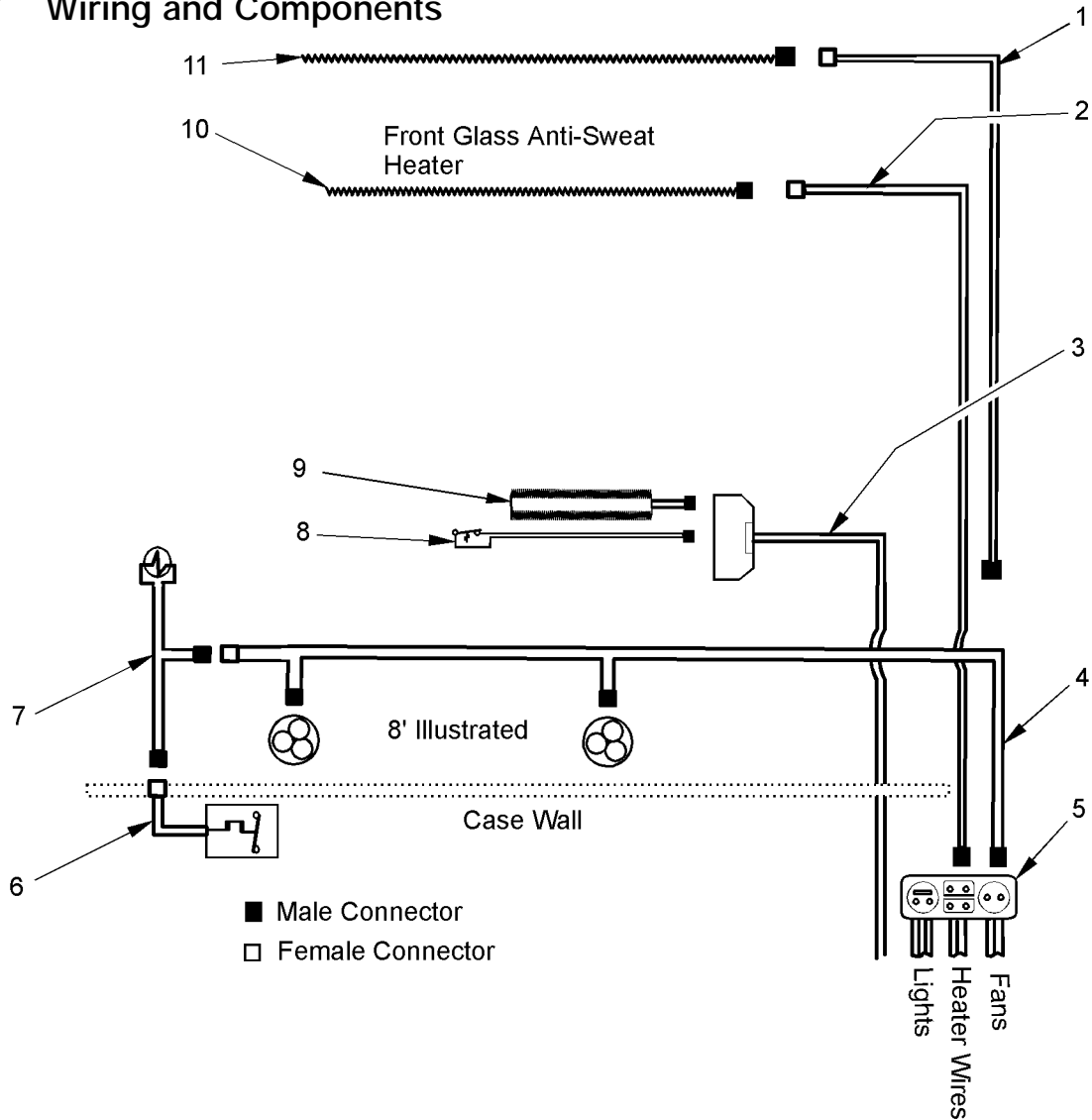
Item	Part No.	Qty.	Description	Item	Part No.	Qty.	Description
1	5100625	4	Nut, 5/16"-18	9	9027973	1	1" End Bmpr, Cool Gray - 33"
2	9022759	4	Stud, 5/16"-18 x 3"		9027974	1	1" End Bmpr, Black - 33"
3	5101003	4	Lockwasher		9027975	1	1" End Bmpr, Pearl - 33"
4	5100976	4	Washer		9029311	1	1" End Bmpr, Pearly Gates - 33"
5	9022756	4	Threaded Insert		9023460	1	1" End Bmpr, Cool Gray - 39"
6	9021111	1	RH Contoured End Assy., Ptd. w/Ptd. Liner - 35" (canopy)		9023461	1	1" End Bmpr, Black - 39"
	9021112	1	LH Contoured End Assy., Ptd. w/Ptd. Liner - 35" (canopy)		9023462	1	1" End Bmpr, Pearl - 39"
	9030739	1	RH Contoured End Assy., Ptd. w/BRT SS Liner - 35" (canopy)		9023459	1	1" End Bmpr, Pearly Gates - 39"
	9030740	1	LH Contoured End Assy., Ptd. w/BRT SS Liner - 35" (canopy)		9310876	1	1" End Bmpr, Steel Gray - 39"
	9024223	1	RH Bench Assy., Ptd w/Ptd. Liner - 35"	10	9027882	1	Mounting Retainer - 35"
	9024224	1	LH Bench Assy., Ptd. w/Ptd. Liner - 35"		9023453	1	Mounting Retainer - 41"
	9024231	1	RH Bench Assy., Ptd. w/BRT SS Liner - 35"	11	9027743	4	End Cap, Cool Gray
	9024232	1	LH Bench Assy., Ptd. w/BRT SS Liner - 35"		9027744	4	End Cap, Black
7	9021655	27'	Edge Trim, Cool Gray		9027742	4	End Cap, Pearl
	9021656	27'	Edge Trim, Black		9026528	4	End Cap, Pearly Gates
	9021657	27'	Edge Trim, Pearl		9310881	4	End Cap, Steel Gray
	9301919	27'	Edge Trim, Pearly Gates	12	5183536	4	Screw
	9034929	27'	Edge Trim, Steel Gray	13	5104702	21	Rivet
8	9025960	1	RH Glass End Trim	14	9301372	1	End Protector Plate
					5186737	A/R	Foam Gasket
				15	1309067	3	Screw
				16	9022466	1	LH End Base Close-off, Ptd.
					9022459	1	RH End Base Close-off, Ptd.
				17	5048626	2	Screw
				18	5183536	4	Screw
				19	9030532	2	End Angle Support



ELECTRICAL SYSTEM COMPONENTS

WIRING HARNESSSES - NM/NMG

Wiring and Components

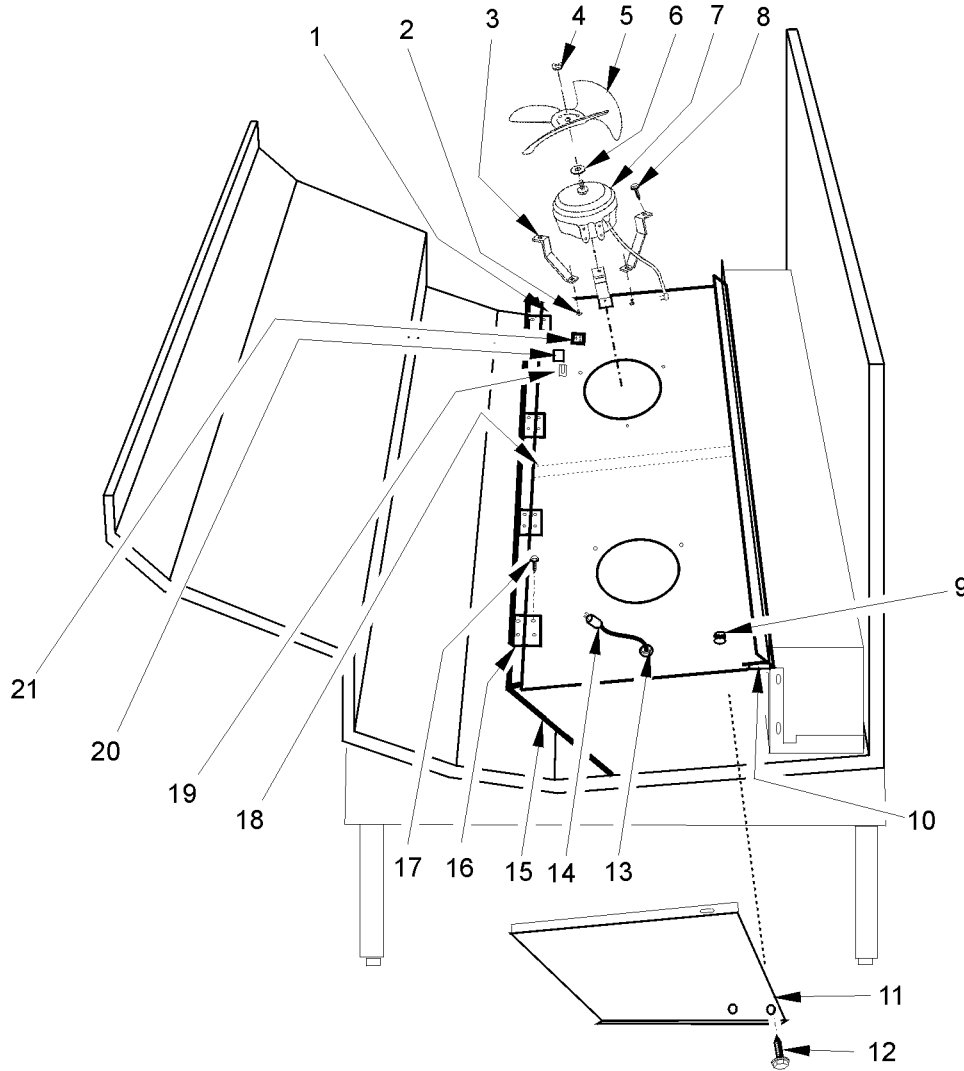


6', 8' and 12' Merchandiser

Item	Part No.	Quantity			Description	Item	Part No.	Quantity			Description
		6'	8'	12'				6'	8'	12'	
1	5123832	1	1	1	Rear Riser Heater Supply Harness	10	5227379	1	1	1	Anti-Sweat, NMG Front Glass
2	5123837	1	1	1	Anti-Sweat Harness, NMG Front Glass	11	5227379	1	-	-	Anti-Sweat, Rear Riser
3	5625360	1	1	1	220V Supply Harness		5124216	-	1	-	Anti-Sweat, Rear Riser
4	5211558	1	1	-	Fan Harness		5124217	-	-	1	Anti-Sweat, Rear Riser
	5211559	-	-	1	Fan Harness						
5	9041306	1	1	1	115V Supply Harness						
6	5193888	1	1	1	Opt. Thermostat						
7	5213766	1	1	1	Opt. Sol. Valve, 115V						
8	5125211	1	1	1	Klixon Thermostat						
9	5125153	1	-	-	Defrost Heater, 60"						
	5124521	-	1	-	Defrost Heater, 72"						
	5124522	-	-	1	Defrost Heater, 120"						
					Hot Gas Options:						
					-	5224113	1	1	1		Fan Delay Harness
					-	9023503	1	1	1		Klixon Thermostat, Fan Delay 50/40
					-	9023508	1	1	1		Thermostat, Defrost Termination 55/40



ELECTRICAL SYSTEM COMPONENTS - (CONT'D)
FAN SYSTEMS - NM/NMG

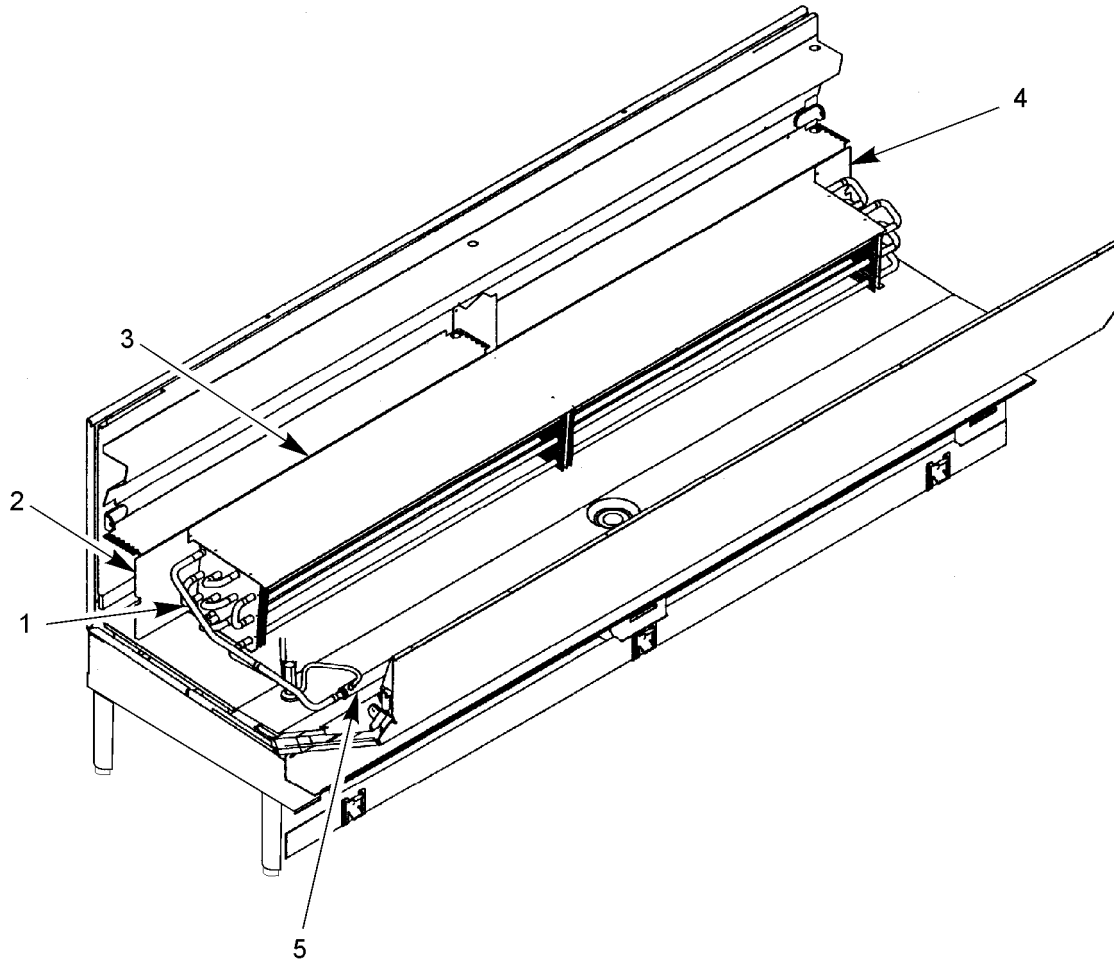


6', 8' and 12' Merchandiser

Item	Part No.	Quantity			Description	Item	Part No.	Quantity			Description
		6'	8'	12'				6'	8'	12'	
1	9043862	1	-	-	Fan Panel	10	5107190	A/R	A/R	A/R	Foam Gasket
	9043863	-	1	-	Fan Panel	11	9043845	1	1	1	RH Fan Panel Close-off
	9043864	-	-	1	Fan Panel		9043846	1	1	1	LH Fan Panel Close-off
2	9043711	6	6	9	Screw	12	5183536	6	6	6	Screw
3	5213132	6	6	9	Bracket	13	5123674	3	3	4	Strain Relief
4	----	2	2	3	Clip (furn. w/motor)	14	5211558	1	1	-	Fan Motor Harness
5	9025138	2	2	3	Fan Blade		5211559	-	-	1	Fan Motor Harness
6	----	2	2	3	Washer (furn. w/motor)	15	9043847	1	-	-	Front Coil Close-off
7	5125532	2	2	3	Fan Motor, 5W 115V 60HZ		9043848	-	1	-	Front Coil Close-off
	5222975	-	2	3	Fan Motor, 5W 220V 50HZ	16	9043849	-	-	1	Front Coil Close-off
8	5224128	6	6	9	Screw (furn. w/motor)	17	5186058	3	4	6	Fan Panel Hinge
9	5185321	2	2	2	1/4 Turn Fastener	18	5183536	12	16	24	Screw
						19	9043856	1	1	2	Fan Panel Strap Support
						20	5206177	2	2	3	Fan Clip
						21	5120359	4	4	6	Cable Clip
							5149769	1	1	1	Dummy Plug



REFRIGERATION SYSTEM COMPONENTS
 COIL ASSEMBLIES - NM/NMG

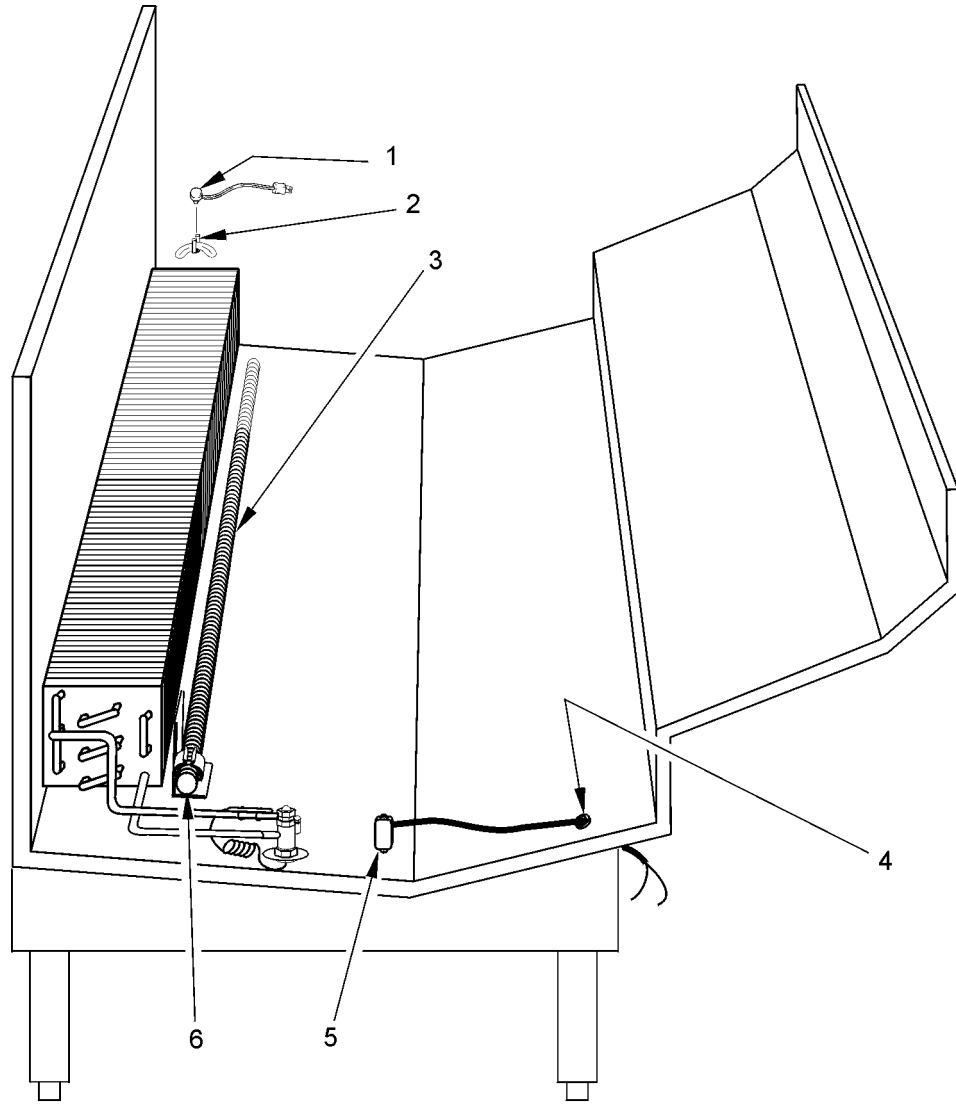


6', 8' and 12' Merchandiser

Item	Part No.	Quantity			Description	
		6'	8'	12'		
1	9043833	1	-	-	Coil Fitting Assy.	
	9043834	-	1	-	Coil Fitting Assy.	
	9043835	-	-	1	Coil Fitting Assy.	
2	9043844	1	1	1	LH Rear Coil Close-off	
	3	9043859	1	-	-	Rear Coil Close-off
		9043860	-	1	-	Rear Coil Close-off
4	9043861	-	-	1	Rear Coil Close-off	
	9043843	1	1	1	RH Rear Coil Close-off	
	5	9043868	1	1	1	Heat Exchanger Assy.
5199097		1	1	1	Heat Exchanger Support	
5607405		1	1	1	Heat Exchanger	



REFRIGERATION SYSTEM COMPONENTS - (CONT'D)
ELECTRIC DEFROST - NM/NMG



6', 8' and 12' Merchandiser

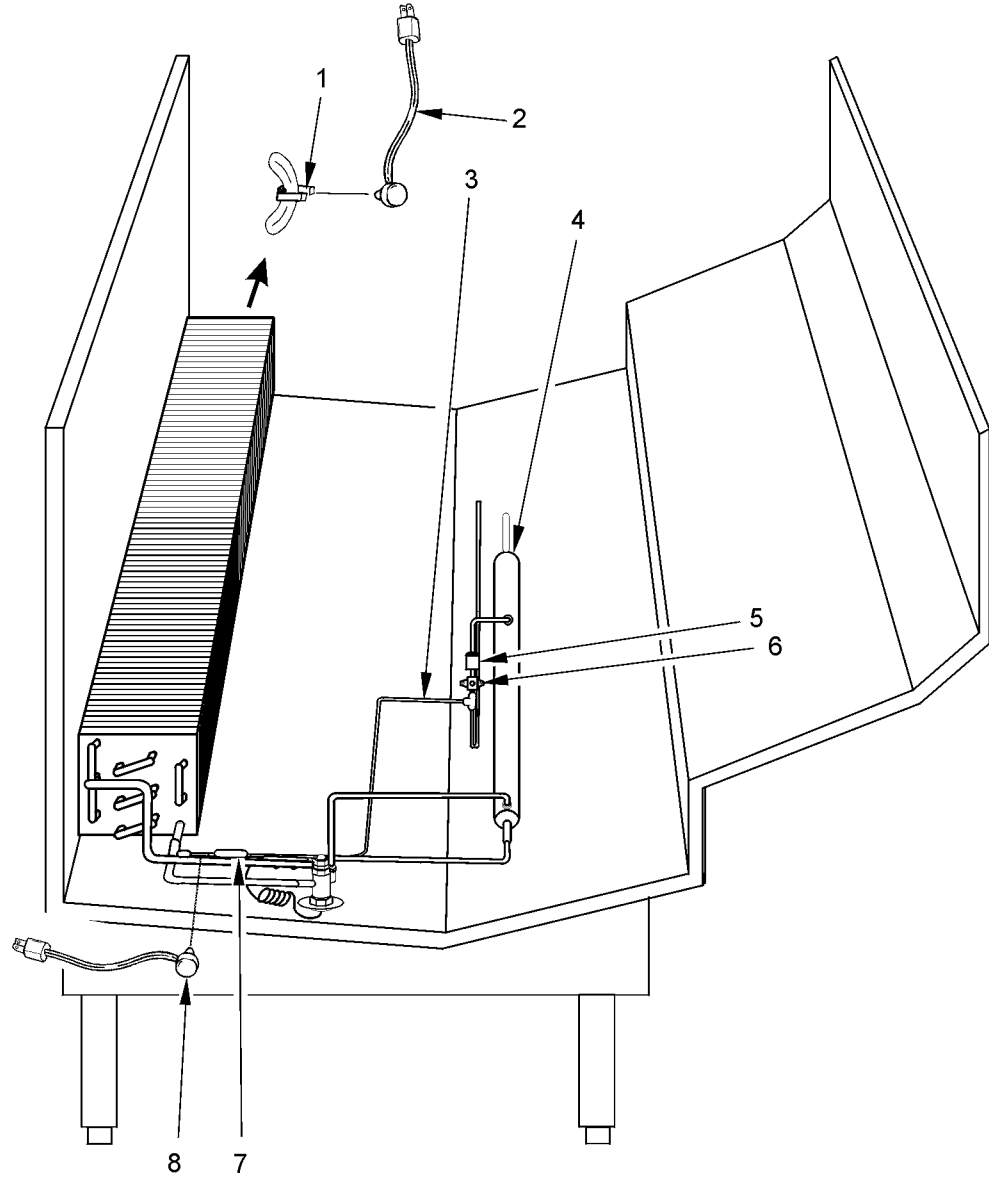
Item	Part No.	Quantity			Description	Item	Part No.	Quantity			Description
		6'	8'	12'				6'	8'	12'	
1	5145098	1	1	1	Mounting Clip	*	5944626	1	-	-	Defrost Heater Support Assy.
2	5125211	1	1	1	Klixon Thermostat 50/30	*	5028056	-	1	-	Defrost Heater Support Assy.
3	5125153	1	-	-	Defrost Heater, 60"	*	5028057	-	-	1	Defrost Heater Support Assy.
	5124521	-	1	-	Defrost Heater, 72"						
	5124522	-	-	1	Defrost Heater, 120"						
4	5123674	1	1	1	Strain Relief	5104952	4	4	4	Clip	
5	5219930	1	1	1	Terminal Block, 220V	5197811	4	4	4	Hat Channel	
	5205439	2	2	2	Screw	5944629	1	-	-	Deflector	
	5147584	1	1	1	Grommet	5128680	-	1	-	Deflector	
6	5623803	2	2	2	Defrost Heater Support	5128681	-	-	1	Deflector	
	5120746	2	2	2	Screw (1 per support)	5104702	4	4	4	Rivet	

Options:

-	5620001	1	1	1	Hand Valve
-	5942194	1	1	1	Solenoid Valve



REFRIGERATION SYSTEM COMPONENTS - (CONT'D)
 OPTIONAL HOT GAS DEFROST - NM/NMG

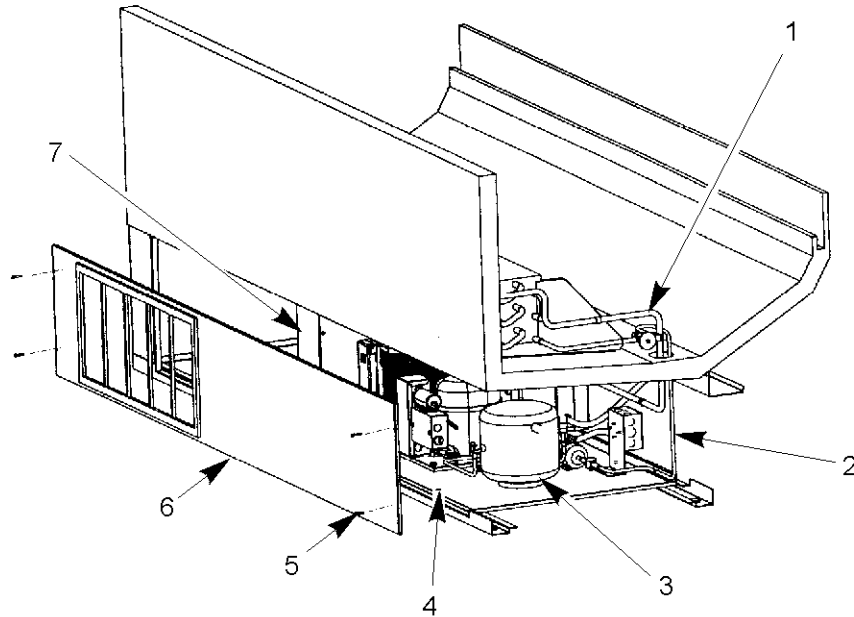


6', 8' and 12' Merchandiser

Item	Part No.	Qty.	Description
*	9037395	1	Hot Gas w/ Heat Exchanger Assy.
*	9037397	1	Hot Gas w/ Heat Exchanger & Hand Valve Assy.
*	9037399	1	Hot Gas w/ Heat Exchanger, Hand Valve & Solenoid Valve Assy.
1	5210926	1	Hot Gas Defrost Tubing
2	5180826	1	Tie Cable
3	9023503	1	Klixon Thermostat 50/40
	5224113	1	Fan Control Jumper Harness
4	5607405	1	Heat Exchanger
5	5942194	1	Solenoid Valve
6	5620001	1	Hand Valve
7	5200228	1	Check Valve
8	9023508	1	Hot Gas Termination Klixon 55/40



REFRIGERATION SYSTEM COMPONENTS - (CONT'D)
 SELF-CONTAINED CONDENSING UNITS - NM/NMG

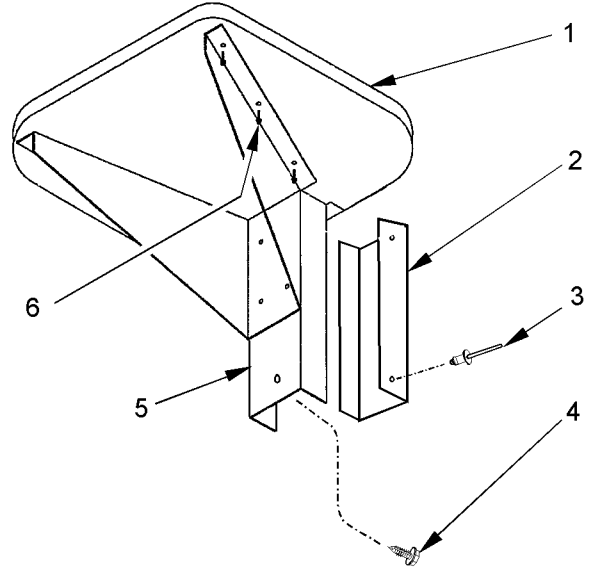
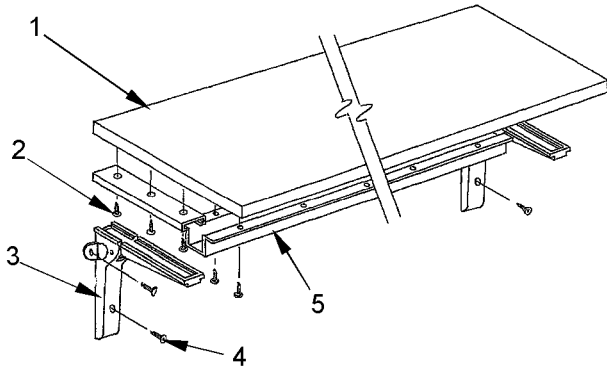


8' Merchandiser

Item	Part No.	Quantity	Description	Item	Part No.	Quantity	Description
1	9603618	1	Suction Line to Cond. Unit (NMG)	1	9603623	1	Defrost Control Assy. (NM)
	9600272	1	Suction Line to Cond. Unit (NM)		5086099	1	Defrost Control, 6 min.(NMG)
2	9600315	1	Exp. Valve Tube to Sight Glass (NMG)		5161079	-	Defrost Control, 6 min.(NM)
	9603613	1	Exp. Valve Tube to Sight Glass (NM)		5220509	1	Dual Pressure Control
	9600064	3	Front Cladding Support		5997588	1	Thermostat
3	9603626	1	Self-Contained Unit Assy. (NMG)	4	9600303	1	Base (NMG)
	9603625	1	Condensing Unit Assy. (NMG)		9603619	1	Base (NM)
	9603641	1	Self-Contained Unit Assy. (NM)	5	9600314	1	Air Close-off (NMG)
	9603624	1	Condensing Unit Assy. (NM)		9600267	1	Air Close-off (NM)
	9602908	1	Unit: MCFH-0056-IAA-214		9600256	1	Disconnect Assy.
	5996353	1	Reciever Tank	6	9600318	1	Rear Base Close-off Assy. (NMG)
	9600620	1	Defrost Control Assy. (NMG)		9600221	1	Rear Base Close-off Assy. (NM)
					9601086	-	RH Rear Base Close-off (NMG)
				7	5053985	4	Screw



OPTIONAL CASE ACCESSORIES
SHELF ASSEMBLIES - NM/NMG
 Optional Wrap and Scale Shelves



Wrap Shelves

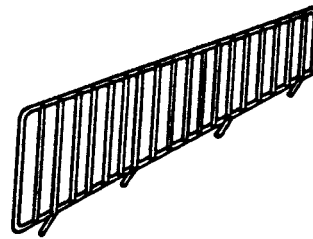
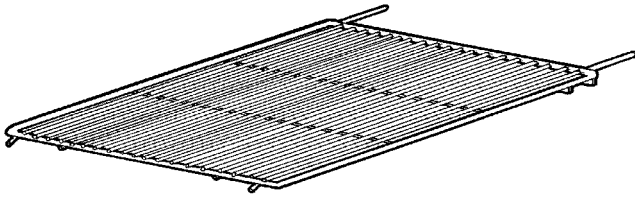
Item	Part No.	Quantity			Description
		6'	8'	12'	
*	5952011	1	-	-	30" Wrap Shelf Assy.
*	5190217	-	1	-	48" Wrap Shelf Assy.
*	5190218	-	-	1	60" Wrap Shelf Assy.
1	5951959	1	-	-	30" Wrap Shelf
	5190222	-	1	-	48" Wrap Shelf
	5190221	-	-	1	60" Wrap Shelf
2	5100212	12	-	-	Screw
	5123781	-	14	9	Screw
3	5182581	2	2	3	Bracket
4	1309067	6	6	9	Screw
5	5952010	1	-	-	Reinf. Channel
	5190220	-	1	-	Reinf. Channel

Wrap Shelf

Item	Part No.	Qty.	Description
1	5952191	1	Shelf
2	5224554	1	Vertical Shelf Support Cover
3	5104702	4	Rivet
4	1309067	3	Screw
5	5224645	1	Scale Support
6	5183536	6	Screw



OPTIONAL CASE ACCESSORIES - (CONT'D)
 SCREENS, DIVIDERS, FENCES AND TRAYS

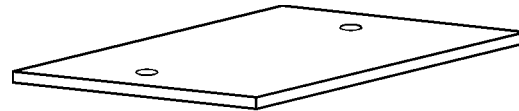


Optional Return Air Fence

Item	Part No.	Qty.	Description
-	5903658	1	Return Air Fence Set, WPC (for 12' case only)
-	5900473	3	Fence, WPC (6" x 48")

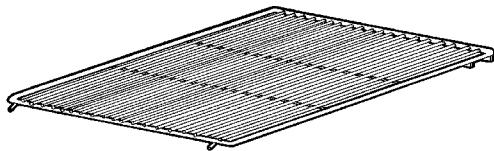
Optional Adjustable Telescoping Screens

Item	Part No.	Quantity			Description
		6'	8'	12'	
-	5956420	1	-	-	Tlscp. Screen Set
-	5204578	-	1	-	Tlscp. Screen Set
-	5204579	-	-	1	Tlscp. Screen Set
-	5199443	3	4	6	Tlscp. Screen, WPC
-	5999848	1	-	-	Tlscp. Screen Set
-	5999849	-	1	-	Tlscp. Screen Set
-	5999850	-	-	1	Tlscp. Screen Set
-	5997065	3	4	6	Tlscp. Screen, BPC



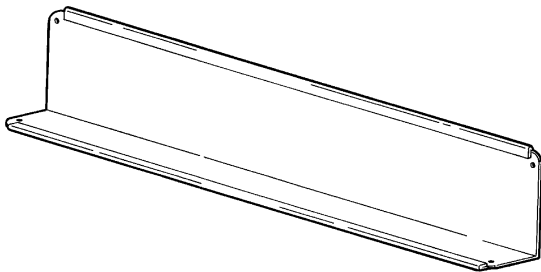
Optional Bottom Trays

Item	Part No.	8'	12'	Description
-	5955302	1	-	Tray Set, BRT SS
-	5955303	-	1	Tray Set, BRT SS
-	5950461	4	6	Tray, BRT SS
-	5955913	1	-	Tray Set, MB SS
-	5955914	-	1	Tray Set, MB SS
-	5942392	4	6	Tray, MB SS
-	5955453	1	-	Tray Set, Ribbed Ice
-	5955454	-	1	Tray Set, Ribbed Ice
-	5990667	4	6	Tray, Ribbed Ice



Optional Adjustable Flat Screens

Item	Part No.	6'	8'	12'	Description
-	9035395	1	-	-	Adj. Flat Screen Set
-	5997849	-	1	-	Adj. Flat Screen Set
-	5997850	-	-	1	Adj. Flat Screen Set
-	5997848	3	4	6	Adj. Flat Screen, BPC

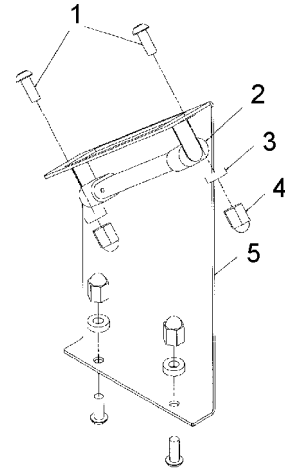
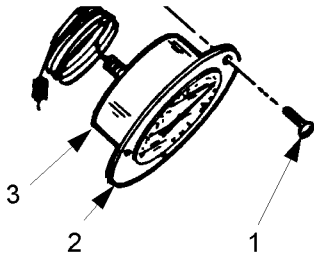


Optional "L" Solid Divider

Item	Part No.	Qty.	Description
-	5208278	1	"L" Solid Divider, WHT



OPTIONAL CASE ACCESSORIES - (CONT'D) THERMOMETERS

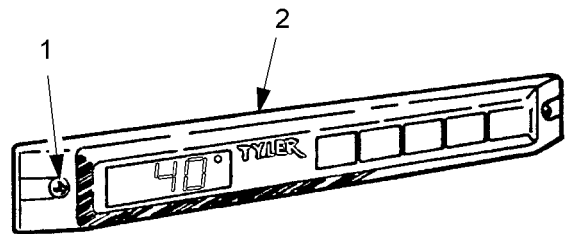
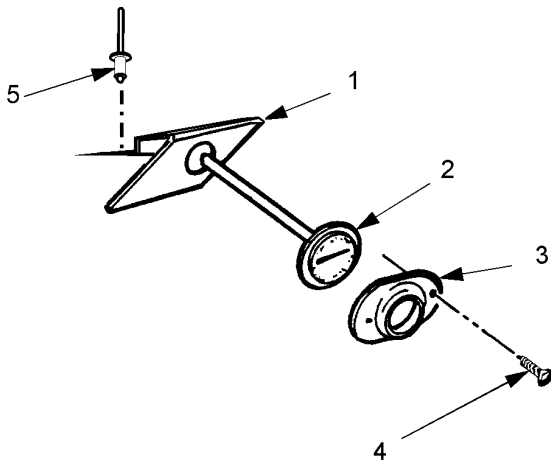


2" Dial Thermometers, Rear Riser

Item	Part No.	Quantity			Description
		6'	8'	12'	
*	5239863	1	-	-	Thermometer Assy.
*	5239864	-	1	-	Thermometer Assy.
*	5228477	-	-	1	Thermometer Assy.
1	5199134	3	3	3	Screw
2	5203579	1	1	1	Collar
3	5204006	1	1	1	2" Dial Thermometer
	5239866	1	-	-	Card Molding
	5269865	-	1	-	Card Molding
	5228480	-	-	1	Card Molding

Standard Case Thermometer

Item	Part No.	Qty.	Description
*	9037460	1	Thermometer Assy.
1	5208265	4	Screw
2	5967100	1	Pencil Thermometer
3	5103997	4	Lock Washer
4	5223244	4	Acorn Nut
5	9037458	1	Therm. MTG Bracket, 4 1/2"



1" Dial Thermometer

Item	Part No.	Qty.	Description
*	5055635	1	Thermometer Assy.
1	5204470	1	Thermometer Support
2	5203829	1	1" Dial Thermometer
3	----	1	Mounting Ring (furnished with thermometer)
4	5219883	2	Screw
5	5104702	2	Rivet

SolarThermometer

Item	Part No.	Qty.	Description
1	5239500	2	Screw
2	5239500	1	Solar Thermometer - F
	5239501	1	Solar Thermometer - C