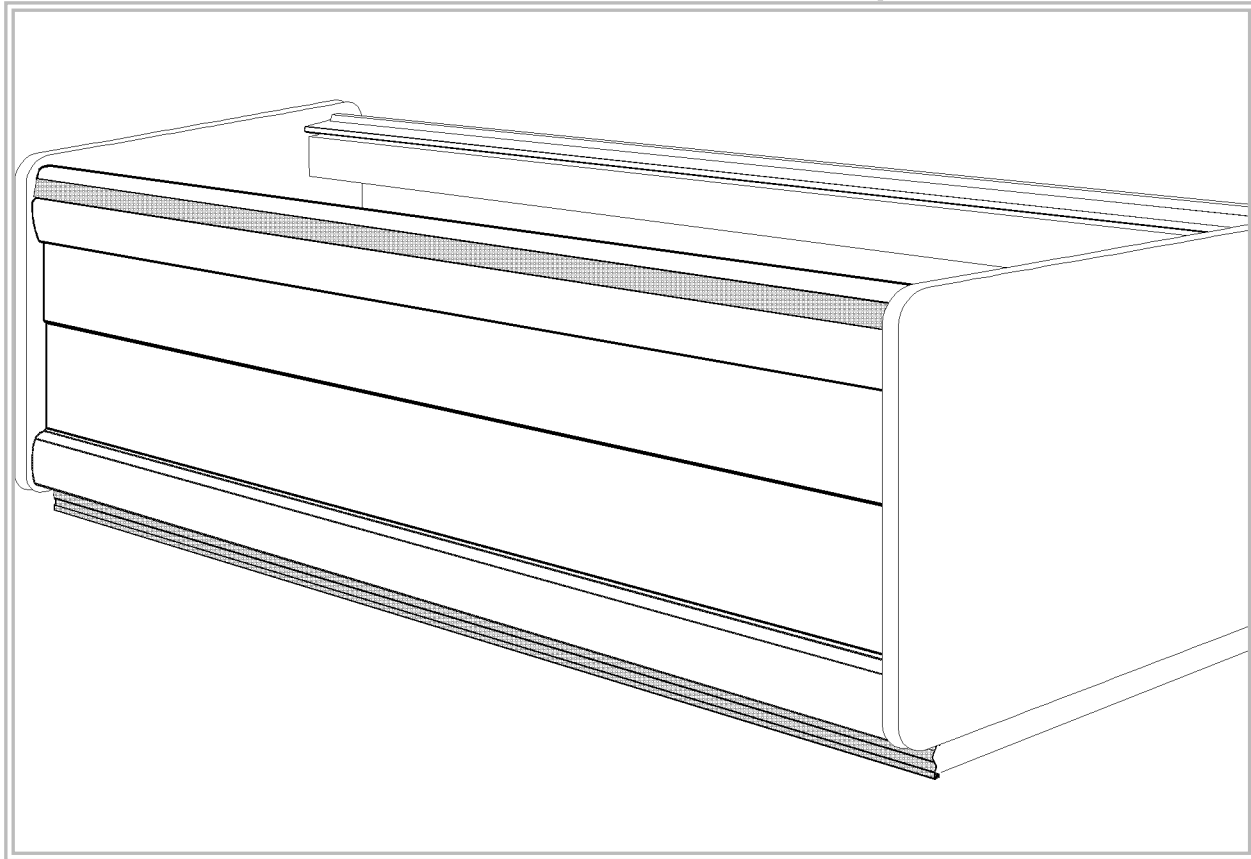


Replacement Parts ^{series} Advantage



Wide Island Merchandiser

Production began January 8, 2001

9000656	NFW8	Low-Temp	8' Wide Island FF Merchandiser
9000657	NFW12	Low-Temp	12' Wide Island FF Merchandiser
9000658	NCW8	Low-Temp	8' Wide Island IC Merchandiser
9000659	NCW12	Low-Temp	12' Wide Island IC Merchandiser
9000660	NFWG8	Low-Temp	8' Wide Island FF Merchandiser w/Glass
9000661	NFWG12	Low-Temp	12' Wide Island FF Merchandiser w/Glass
9000662	NCWG8	Low-Temp	8' Wide Island IC Merchandiser w/Glass
9000663	NCWG12	Low-Temp	12' Wide Island IC Merchandiser w/Glass
9000664	NFWE	Low-Temp	Wide Island End FF Merchandiser
9000665	NCWE	Low-Temp	Wide Island End IC Merchandiser

NFW • **NCW**
NFWG • **NCWG**
NFWE • **NCWE**



Issue date: AUGUST 2001

Replaces issue:

Part number: 9037200

Revision:

Tyler Refrigeration Corporation Niles, MI 49120
 Parts information subject to change without notice
 Printed in U.S.A.



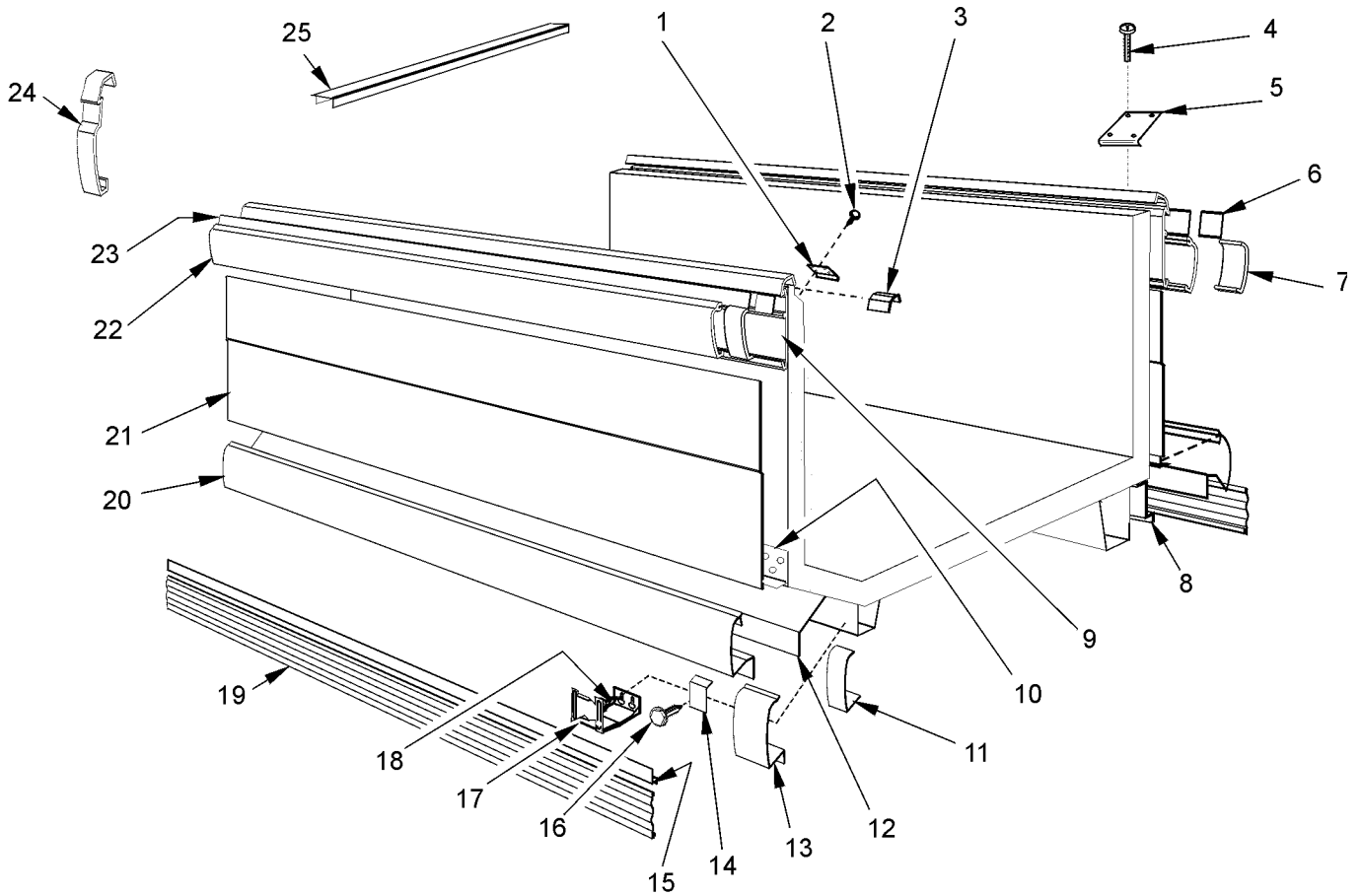
CONTENTS

	<u>Page</u>
Cladding, Covers and Trims	C1-C12
 Structural Components	
Ducts and Panels - NFW/NCW/NFWG/NCWG	S1
Ducts and Panels - NFWE/NCWE	S2
Wrap Ends, Patch Ends, Partitions and Dividers	
Wrap Ends	S3, S4
Solid Patch Ends	S5, S6
1" Solid Partitions	S7
Inside Dividers	S8
 Electrical System Components	
Wiring Harnesses	
Wiring and Components - NFW/NCW/NFWG/NCWG	E1
Wiring and Components - NFWE/NCWE	E2
Fan Systems - NFW/NCW/NFWG/NCWG	E3
Fan Systems - NFWE/NCWE	E4
Optional Superstructure Components	
Center Superstructure	E5
12" Superstructure Light Channel	E6
18" Superstructure Light Channel	E7
Superstructure End Shelving	E8
 Refrigeration System Components	
Coil Assemblies	R1
Electric Defrost - NFW/NCW/NFWG/NCWG	R2
Electric Defrost - NFWE/NCWE	R3
Optional Hot Gas Defrost - NFW/NCW/NFWG/NCWG	R4
Optional Hot Gas Defrost - NFWE/NCWE	R5
 Optional Case Accessories	
Shelf Screens	A1
Shelf Dividers and Nite Cover	A2
Thermometers	A3



CLADDING, COVERS AND TRIMS

NFW/NCW - 8'



8' Merchandiser

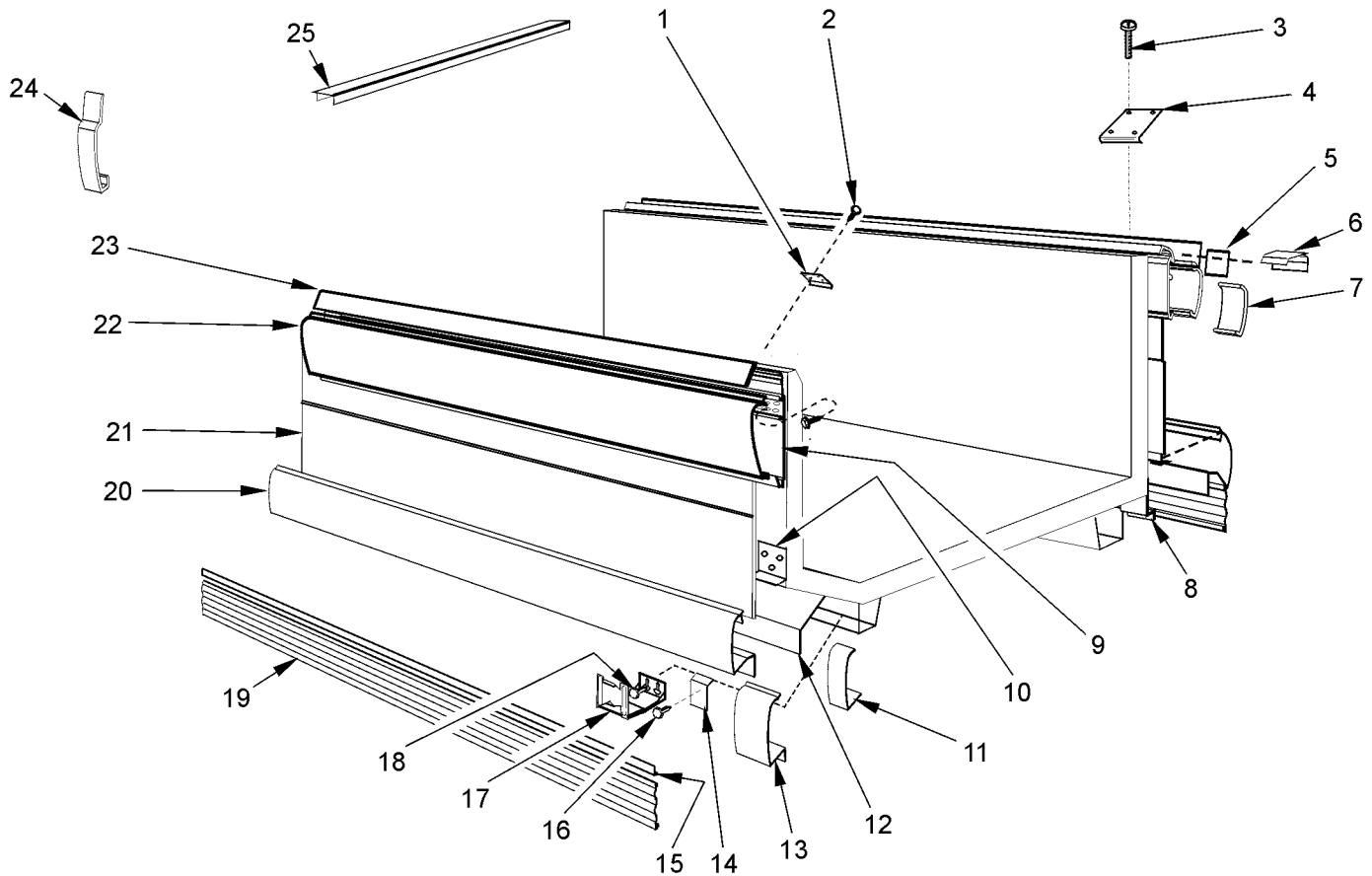
Item	Part No.	Qty.	Description	Item	Part No.	Qty.	Description
1	5207491	1	Return Air Duct Joint Trim	13	+	1	Raceway Cover End Trim (per patch end)
2	5145037	4	Screw	14	9023841	4	Raceway Cover Retainer
3	9025316	2	Bumper Rtnr./Handrail Backer	15	+	2	Kickplate Extension [OPTL]
4	5145037	4	Screw	16	5183536	8	Screw
5	5203016	1	Top Rear Riser Joint Trim	17	9042341	3	Front Kickplate Support Assy.
6	9040223	2	Color Band Backer	18	9042416	3	Rear Kickplate Support Assy.
7	+	2	Bumper Backer	19	9025833	12	Shoulder Screw
8	9041327	4	Rear Raceway CVR Support	20	+	2	Kickplate
	5183536	8	Screw	21	9041790	2	Kickplate Backer
9	+	2	Bumper Retainer	22	+	2	Raceway Cover
	9025833	36	Shoulder Screw	23	9023798	2	Color Band, Painted
10	9300197	4	Cladding Retainer	24	+	1	Bumper End Trim (per patch end)
	5183536	8	Screw	25	5127503	1	Horizontal End Trim
11	+	2	Raceway Cover Backer				
12	9300218	1	Raceway				
	5183536	18	Screw				
	9041324	4	Front Raceway CVR Support				
	5183536	8	Screw				

+ See pages C3 and C4 for parts breakdown per color.



CLADDING, COVERS AND TRIMS - (CONT'D)

NFWG/NCWG - 8'



8' Merchandiser

Item	Part No.	Qty.	Description	Item	Part No.	Qty.	Description
1	5207491	1	Return Air Duct Joint Trim	13	+	1	Raceway Cover End Trim (per patch end)
2	5145037	4	Screw	14	9023841	4	Raceway Cover Retainer
3	5145037	4	Screw	15	+	2	Kickplate Extension [OPTL]
4	5203016	1	Top Rear Riser Joint Trim	16	5183536	8	Screw
5	9040223	1	Rear Color Band Backer	17	9042341	3	Front Kickplate Support Assy.
	9025982	1	Front Color Band Backer		9042416	3	Rear Kickplate Support Assy.
6	9025316	1	Bumper Rtnr./Handrail Backer	18	9025833	12	Shoulder Screw
7	+	2	Bumper Backer	19	+	2	Kickplate
8	9041327	4	Rear Raceway CVR Support		9041790	2	Kickplate Backer
	5183536	8	Screw	20	+	2	Raceway Cover
9	+	1	Bumper Retainer, Front	21	9301351	1	Cladding, Painted Front
	+	1	Bumper Retainer, Rear		9041965	1	Cladding, Painted Rear
	9025833	36	Shoulder Screw		5183536	12	Screw
10	9300197	4	Cladding Retainer	22	+	2	Bumper
	5183536	8	Screw	23	9020971	1	Color Band, Painted Front
11	+	2	Raceway Cover Backer		9023798	1	Color Band, Painted Rear
12	9300218	1	Raceway	24	+	1	Bumper End Trim (per patch end)
	5183536	18	Screw	25	5127503	1	Horizontal End Trim
	9041324	4	Front Raceway CVR Support				
	5183536	8	Screw				

+ See pages C3 and C4 for parts breakdown per color.



CLADDING, COVERS AND TRIMS - (CONT'D)

NFW/NCW/NFWG/NCWG - 8'

Bumper End Trim [Item 24] (LFW/LCWG - Front Only)

Part Number	Color
9028010	White
9028011	Bone White
9028012	Misty Gray
9028013	Pearl
9028014	Oatmeal
9028015	Soft Sand
9028016	Chromium
9028017	Cool Gray
9028018	Oyster
9028019	Black
9028880	Steel Gray
9029587	Cherry Red
9034330	Chocolate
9034331	Mocha
9034332	Stone

(LFW/LCW) (LFW/LCWG - Rear Only)

Part Number	Color
9027220	White
9027221	Bone White
9027222	Misty Gray
9027223	Pearl
9027224	Oatmeal
9027225	Soft Sand
9027226	Chromium
9027227	Cool Gray
9027228	Oyster
9027229	Black
9028882	Steel Gray
9029590	Cherry Red
9034333	Chocolate
9034334	Mocha
9034335	Stone

9023195	RH Bumper Pusher Bracket
9028082	LH Bumper Pusher Bracket
5053985	Screw (2 per brkt)

Bumper [Item 22] Without Partition (96.062"):

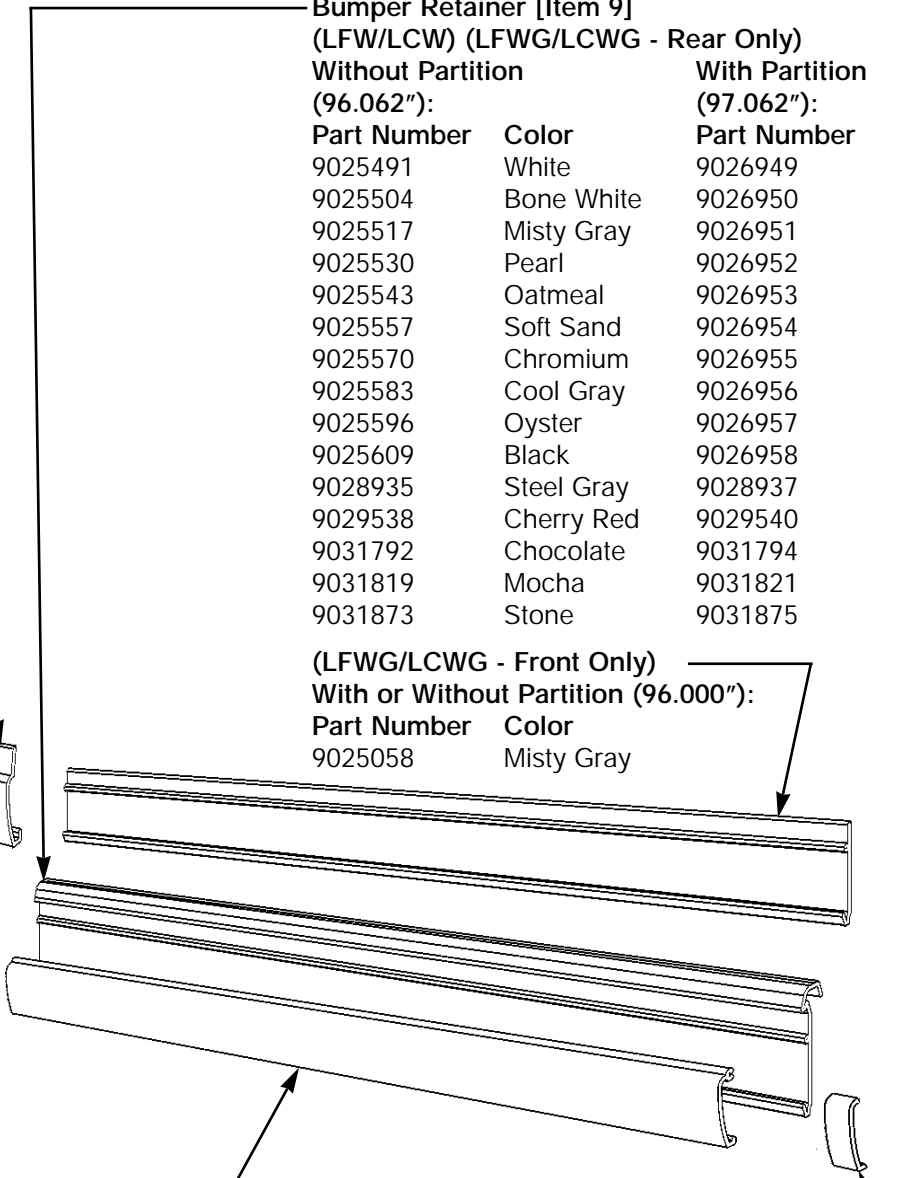
Part Number	Color
9025036	White
9025266	Bone White
9025287	Misty Gray
9025308	Pearl
9025329	Oatmeal
9025350	Soft Sand
9025371	Chromium
9025392	Cool Gray
9025413	Oyster
9025434	Black
9028905	Steel Gray
9029501	Cherry Red
9031687	Chocolate
9031724	Mocha
9031761	Stone

Bumper Retainer [Item 9] (LFW/LCW) (LFWG/LCWG - Rear Only) Without Partition (96.062"):

Part Number	Color	Part Number	Color
9025491	White	9026949	White
9025504	Bone White	9026950	Bone White
9025517	Misty Gray	9026951	Misty Gray
9025530	Pearl	9026952	Pearl
9025543	Oatmeal	9026953	Oatmeal
9025557	Soft Sand	9026954	Soft Sand
9025570	Chromium	9026955	Chromium
9025583	Cool Gray	9026956	Cool Gray
9025596	Oyster	9026957	Oyster
9025609	Black	9026958	Black
9028935	Steel Gray	9028937	Steel Gray
9029538	Cherry Red	9029540	Cherry Red
9031792	Chocolate	9031794	Chocolate
9031819	Mocha	9031821	Mocha
9031873	Stone	9031875	Stone

(LFW/LCWG - Front Only) With or Without Partition (96.000"):

Part Number	Color
9025058	Misty Gray



With Partition (97.062"):

Part Number	Color
9027179	White
9027180	Bone White
9027181	Misty Gray
9027182	Pearl
9027183	Oatmeal
9027184	Soft Sand
9027185	Chromium
9027186	Cool Gray
9027187	Oyster
9027188	Black
9028907	Steel Gray
9029503	Cherry Red
9031689	Chocolate
9031726	Mocha
9031763	Stone

Bumper Backer [Item 7]

Part Number	Color
9025023	White
9025028	Bone White
9025035	Misty Gray
9025038	Pearl
9025041	Oatmeal
9025253	Soft Sand
9025258	Chromium
9025265	Cool Gray
9025268	Oyster
9025271	Black
9028883	Steel Gray
9029501	Cherry Red
9031884	Chocolate
9031885	Mocha
9031886	Stone



CLADDING, COVERS AND TRIMS - (CONT'D)

NFW/NCW/NFWG/NCWG - 8'

Raceway Cover [Item 20] Without Partition (96.062"):

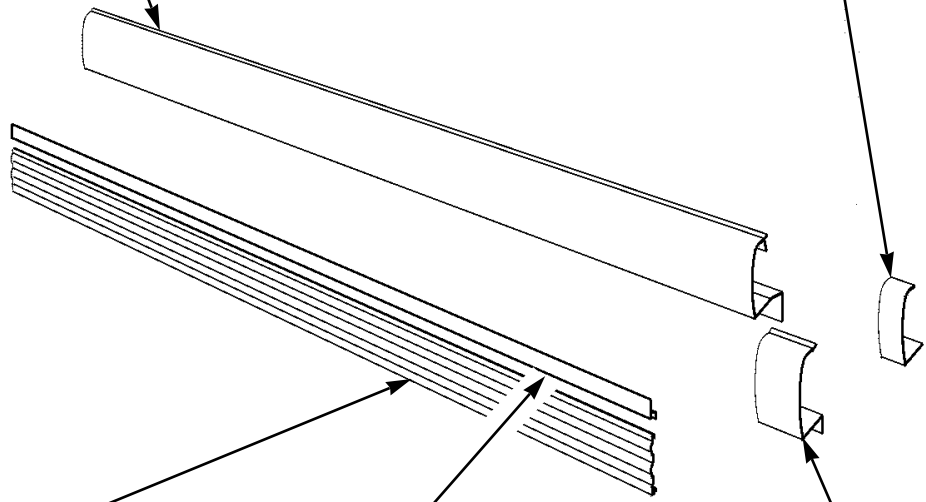
Part Number	Color
9025666	White
9025675	Bone White
9025686	Misty Gray
9025697	Pearl
9025708	Oatmeal
9025719	Soft Sand
9025730	Chromium
9025741	Cool Gray
9025752	Oyster
9025763	Black
9029564	Cherry Red
9031571	Chocolate
9031598	Mocha
9031652	Stone
9310660	Steel Gray

With Partition (97.062"):

Part Number	Color
9027077	White
9027078	Bone White
9027079	Misty Gray
9027080	Pearl
9027081	Oatmeal
9027082	Soft Sand
9027083	Chromium
9027084	Cool Gray
9027085	Oyster
9027086	Black
9029565	Cherry Red
9031572	Chocolate
9031599	Mocha
9031653	Stone
9310661	Steel Gray

Raceway Cover Backer [Item 11]

Part Number	Color
9025795	White
9025796	Bone White
9025797	Misty Gray
9025798	Pearl
9025799	Oatmeal
9025800	Soft Sand
9025801	Chromium
9025802	Cool Gray
9025803	Oyster
9025804	Black
9029582	Cherry Red
9031907	Chocolate
9031908	Mocha
9031909	Stone
9310683	Steel Gray



Kickplate [Item 19]

Without Partition (96.062"):

Part Number	Color
9041690	Cool Gray
9041691	Black
9041692	Pearl
9041694	Steel Gray

With Partition (97.062"):

Part Number
9041700
9041701
9041702
9041704

Raceway Cover End Trim [Item 13]

Part Number	Color
9027231	White
9027232	Bone White
9027233	Misty Gray
9027234	Pearl
9027235	Oatmeal
9027236	Soft Sand
9027237	Chromium
9027238	Cool Gray
9027239	Oyster
9027240	Black
9029591	Cherry Red
9034336	Chocolate
9034337	Mocha
9031338	Stone
9310681	Steel Gray

Optional Kickplate Extension [Item 15]

Without Partition (96.062"):

Part Number	Color
9042868	Cool Gray
9042869	Black
9042870	Pearl
9042871	Steel Gray

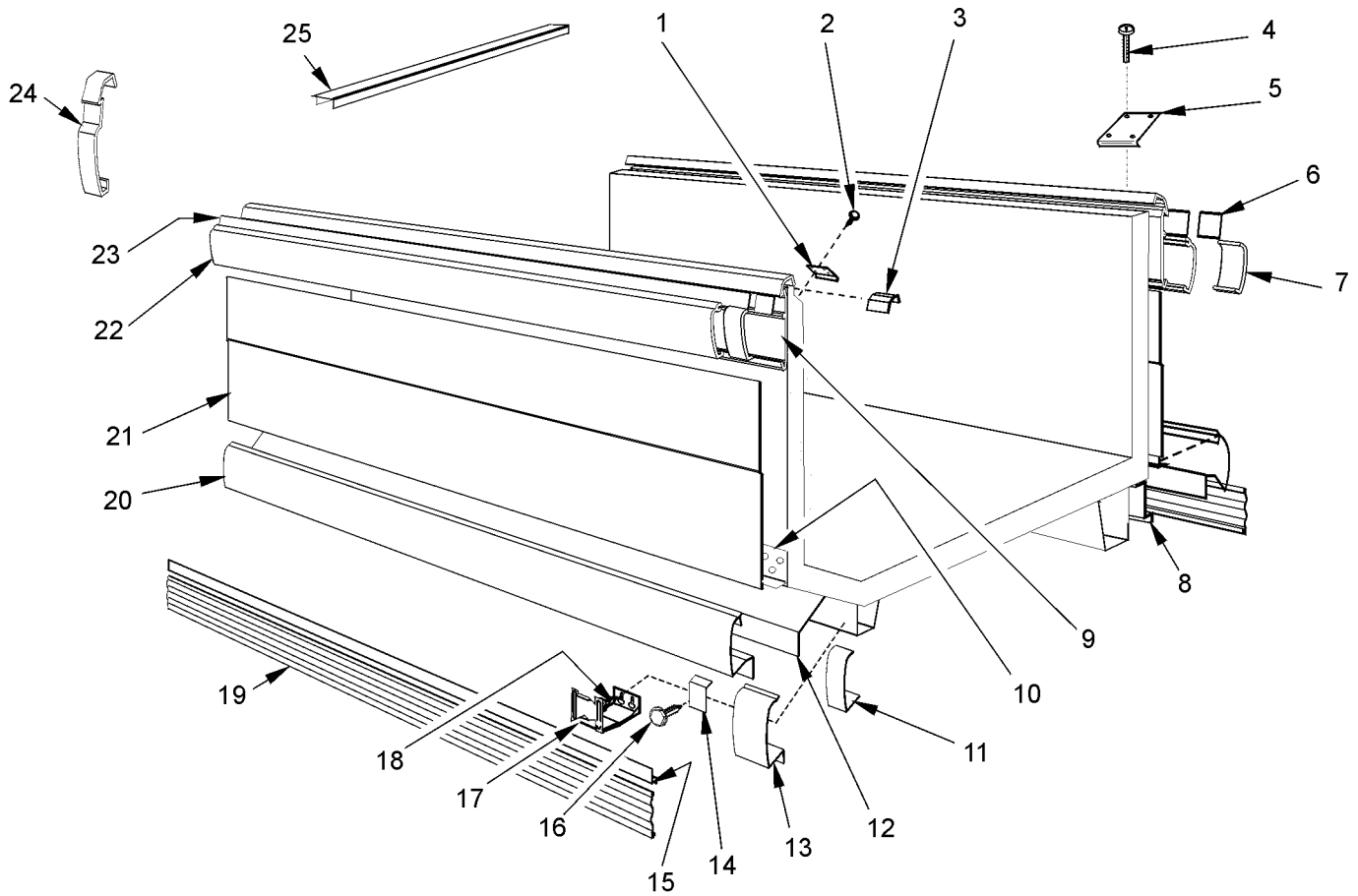
With Partition (97.062"):

Part Number
9042876
9042877
9042878
9042879



CLADDING, COVERS AND TRIMS - (CONT'D)

NFW/NCW - 12'



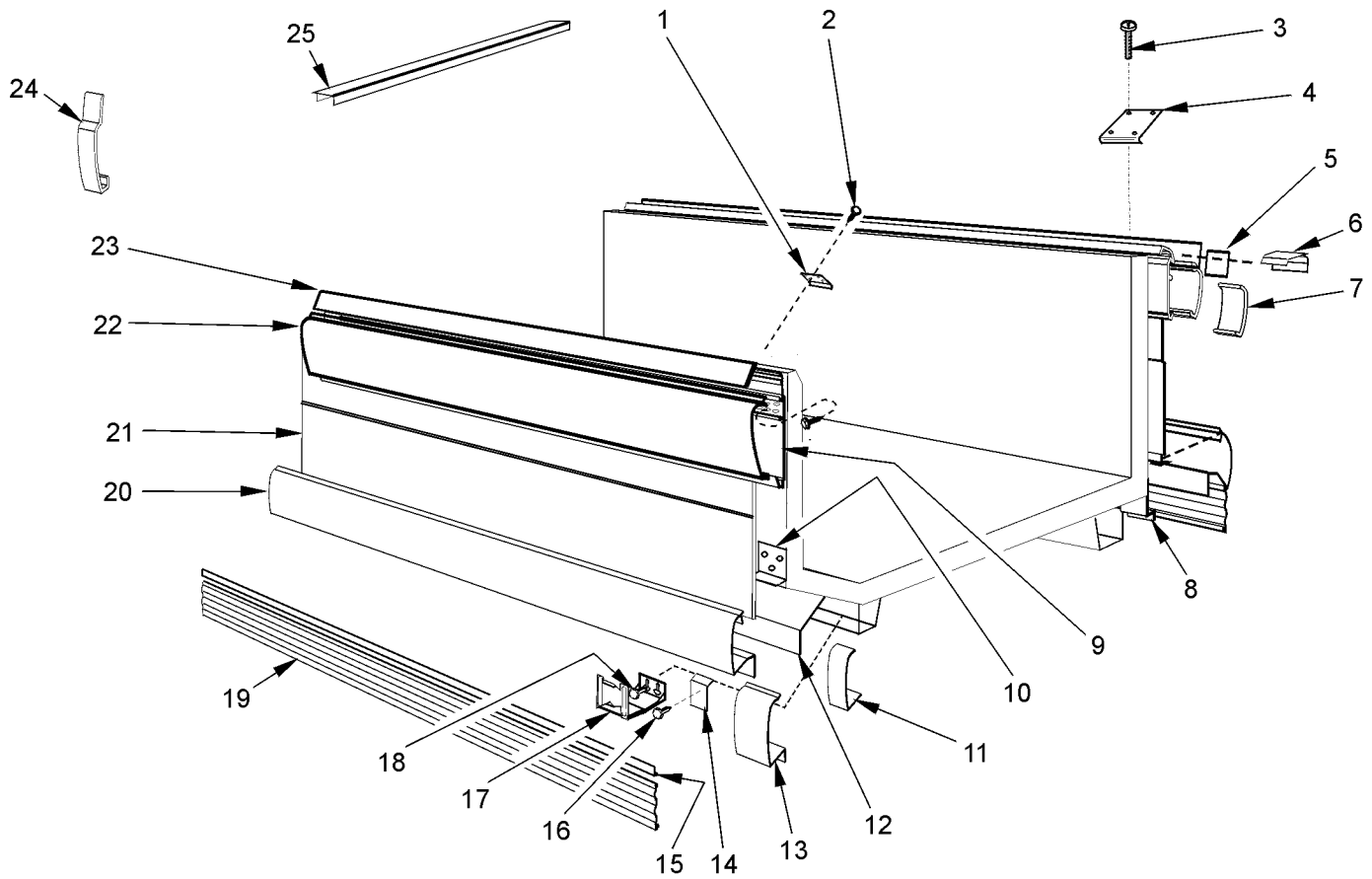
12' Merchandiser

Item	Part No.	Qty.	Description	Item	Part No.	Qty.	Description
1	5207491	1	Return Air Duct Joint Trim	13	+	1	Raceway Cover End Trim (per patch end)
2	5145037	4	Screw	14	9023841	10	Raceway Cover Retainer
3	9025316	2	Bumper Rtnr./Handrail Backer	15	+	2	Kickplate Extension [OPTL]
4	5145037	4	Screw	16	5183536	20	Screw
5	5203016	1	Top Rear Riser Joint Trim	17	9041341	4	Front Kickplate Support Assy.
6	9040223	2	Color Band Backer		9041416	4	Rear Kickplate Support Assy.
7	+	2	Bumper Backer	18	9025833	16	Shoulder Screw
8	9041327	4	Rear Raceway CVR Support	19	+	2	Kickplate
	5183536	8	Screw		9041790	2	Kickplate Backer
9	+	2	Bumper Retainer	20	+	2	Raceway Cover
	9025833	52	Shoulder Screw	21	9041966	2	Cladding, Painted
10	9300197	4	Cladding Retainer		5183536	12	Screw
	5183536	8	Screw	11	+	2	Raceway Cover Backer
11	+	2	Raceway Cover Backer	12	9300219	1	Raceway
12	9300219	1	Raceway		5183536	18	Screw
	5183536	18	Screw		9041324	4	Front Kickplate Hanger
	9041324	4	Front Kickplate Hanger		5183536	8	Screw
	5183536	8	Screw	25	5127503	1	Horizontal End Trim

+ See pages C7 and C8 for parts breakdown per color.



CLADDING, COVERS AND TRIMS - (CONT'D)
NFWG/NCWG - 12'



12' Merchandiser

Item	Part No.	Qty.	Description	Item	Part No.	Qty.	Description
1	5207491	1	Return Air Duct Joint Trim	13	+	1	Raceway Cover End Trim (per patch end)
2	5145037	4	Screw	14	9023841	6	Raceway Cover Retainer
3	5145037	4	Screw	15	+	2	Kickplate Extension [OPTL]
4	5203016	1	Top Rear Riser Joint Trim	16	5183536	12	Screw
5	9040223	1	Rear Color Band Backer	17	9042341	4	Front Kickplate Support Assy.
	9025982	1	Front Color Band Backer		9042416	4	Rear Kickplate Support Assy.
6	9025316	1	Bumper Rtnr./Handrail Backer	18	9025833	16	Shoulder Screw
7	+	2	Bumper Backer	19	+	2	Kickplate
8	9041327	4	Rear Raceway CVR Support		9041790	2	Kickplate Backer
	5183536	8	Screw	20	+	2	Raceway Cover
9	+	1	Bumper Retainer, Front	21	9301352	1	Cladding, Painted Front
	+	1	Bumper Retainer, Rear		9041966	1	Cladding, Painted Rear
	9025833	52	Shoulder Screw	22	+	2	Bumper
10	9300197	4	Cladding Retainer	23	9020972	1	Color Band, Painted Front
	5183536	8	Screw		9023800	1	Color Band, Painted Rear
11	+	2	Raceway Cover Backer	24	+	1	Bumper End Trim (per patch end)
12	9300219	1	Raceway	25	5127503	1	Horizontal End Trim
	5183536	18	Screw				
	9041324	4	Front Raceway CVR Support				
	5183536	8	Screw				

+ See pages C7 and C8 for parts breakdown per color.



CLADDING, COVERS AND TRIMS - (CONT'D)

NFW/NCW/NFWG/NCWG - 12'

Bumper End Trim [Item 24] (LFWG/LCWG - Front Only)

Part Number	Color
9028010	White
9028011	Bone White
9028012	Misty Gray
9028013	Pearl
9028014	Oatmeal
9028015	Soft Sand
9028016	Chromium
9028017	Cool Gray
9028018	Oyster
9028019	Black
9028880	Steel Gray
9029587	Cherry Red
9034330	Chocolate
9034331	Mocha
9034332	Stone

(LFW/LCW) (LFWG/LCWG - Rear Only)

Part Number	Color
9027220	White
9027221	Bone White
9027222	Misty Gray
9027223	Pearl
9027224	Oatmeal
9027225	Soft Sand
9027226	Chromium
9027227	Cool Gray
9027228	Oyster
9027229	Black
9028882	Steel Gray
9029590	Cherry Red
9034333	Chocolate
9034334	Mocha
9034335	Stone

9023195	RH Bumper Pusher Bracket
9028082	LH Bumper Pusher Bracket
5053985	Screw (2 per brkt)

Bumper [Item 22] Without Partition (144.062"):

Part Number	Color
9025039	White
9025269	Bone White
9025290	Misty Gray
9025311	Pearl
9025332	Oatmeal
9025353	Soft Sand
9025374	Chromium
9025395	Cool Gray
9025416	Oyster
9025437	Black
9028912	Steel Gray
9029509	Cherry Red
9031695	Chocolate
9031732	Mocha
9031769	Stone

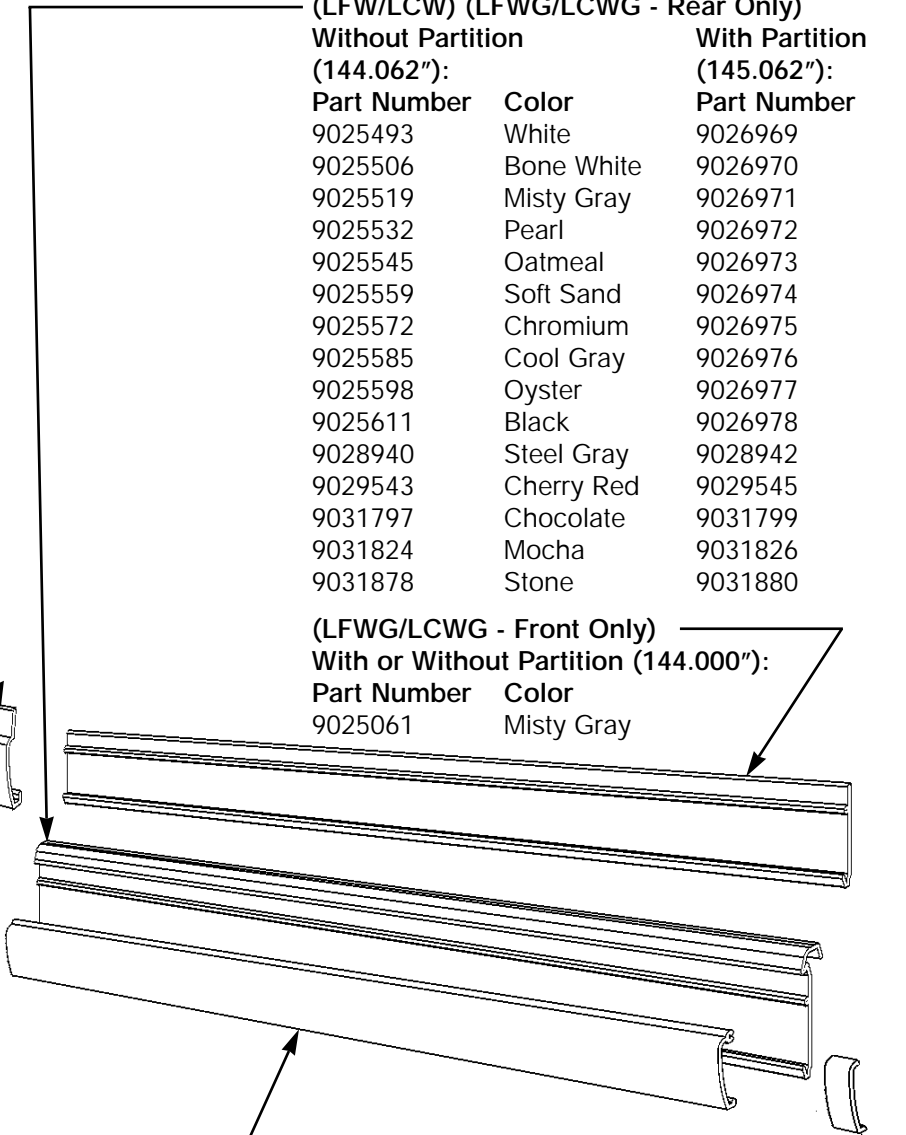
Bumper Retainer [Item 9] (LFW/LCW) (LFWG/LCWG - Rear Only)

Without Partition (144.062"):

Part Number	Color	With Partition (145.062"): Part Number
9025493	White	9026969
9025506	Bone White	9026970
9025519	Misty Gray	9026971
9025532	Pearl	9026972
9025545	Oatmeal	9026973
9025559	Soft Sand	9026974
9025572	Chromium	9026975
9025585	Cool Gray	9026976
9025598	Oyster	9026977
9025611	Black	9026978
9028940	Steel Gray	9028942
9029543	Cherry Red	9029545
9031797	Chocolate	9031799
9031824	Mocha	9031826
9031878	Stone	9031880

(LFWG/LCWG - Front Only) With or Without Partition (144.000"):

Part Number	Color
9025061	Misty Gray



Bumper Backer [Item 7]

Part Number	Color
9025023	White
9025028	Bone White
9025035	Misty Gray
9025038	Pearl
9025041	Oatmeal
9025253	Soft Sand
9025258	Chromium
9025265	Cool Gray
9025268	Oyster
9025271	Black
9028883	Steel Gray
9029581	Cherry Red
9031884	Chocolate
9031885	Mocha
9031886	Stone



CLADDING, COVERS AND TRIMS - (CONT'D)

NFW/NCW/NFWG/NCWG - 12'

Raceway Cover [Item 20] Without Partition (144.062"):

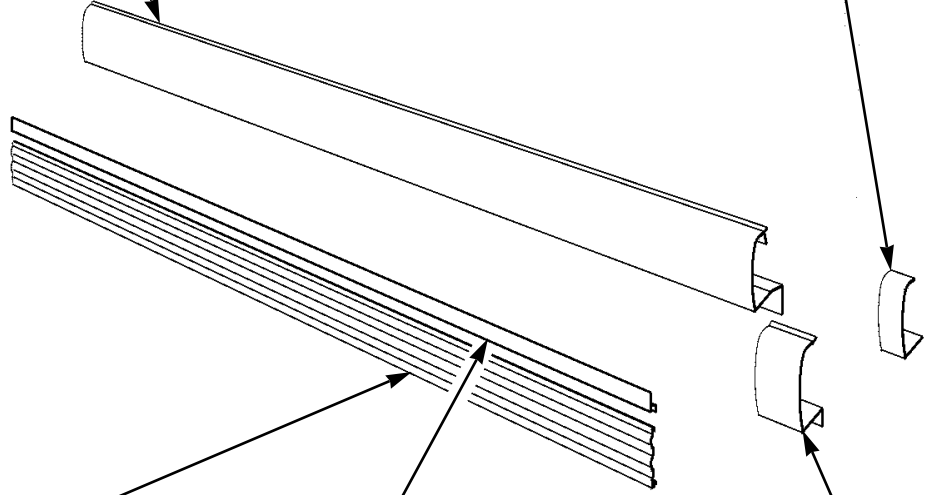
Part Number	Color
9025668	White
9025677	Bone White
9025688	Misty Gray
9025699	Pearl
9025710	Oatmeal
9025721	Soft Sand
9025732	Chromium
9025743	Cool Gray
9025754	Oyster
9025765	Black
9029564	Cherry Red
9031577	Chocolate
9031604	Mocha
9031658	Stone
9310666	Steel Gray

With Partition (145.062"):

Part Number	Color
9027098	White
9027099	Bone White
9027100	Misty Gray
9027101	Pearl
9027102	Oatmeal
9027103	Soft Sand
9027104	Chromium
9027105	Cool Gray
9027106	Oyster
9027107	Black
9029565	Cherry Red
9031578	Chocolate
9031605	Mocha
9031659	Stone
9310667	Steel Gray

Raceway Cover Backer [Item 11]

Part Number	Color
9025795	White
9025796	Bone White
9025797	Misty Gray
9025798	Pearl
9025799	Oatmeal
9025800	Soft Sand
9025801	Chromium
9025802	Cool Gray
9025803	Oyster
9025804	Black
9029582	Cherry Red
9031907	Chocolate
9031908	Mocha
9031909	Stone
9310683	Steel Gray



Kickplate [Item 19]

Without Partition (144.062"):

Part Number	Color
9041730	Cool Gray
9041731	Black
9041732	Pearl
9041734	Steel Gray

With Partition (145.062"):

Part Number
9041740
9041741
9041742
9041744

Raceway Cover End Trim [Item 13]

Part Number	Color
9027231	White
9027232	Bone White
9027233	Misty Gray
9027234	Pearl
9027235	Oatmeal
9027236	Soft Sand
9027237	Chromium
9027238	Cool Gray
9027239	Oyster
9027240	Black
9029591	Cherry Red
9034336	Chocolate
9034337	Mocha
9034338	Stone
9310681	Steel Gray

Optional Kickplate Extension [Item 15]

Without Partition (144.062"):

Part Number	Color
9042896	Cool Gray
9042897	Black
9042898	Pearl
9042899	Steel Gray

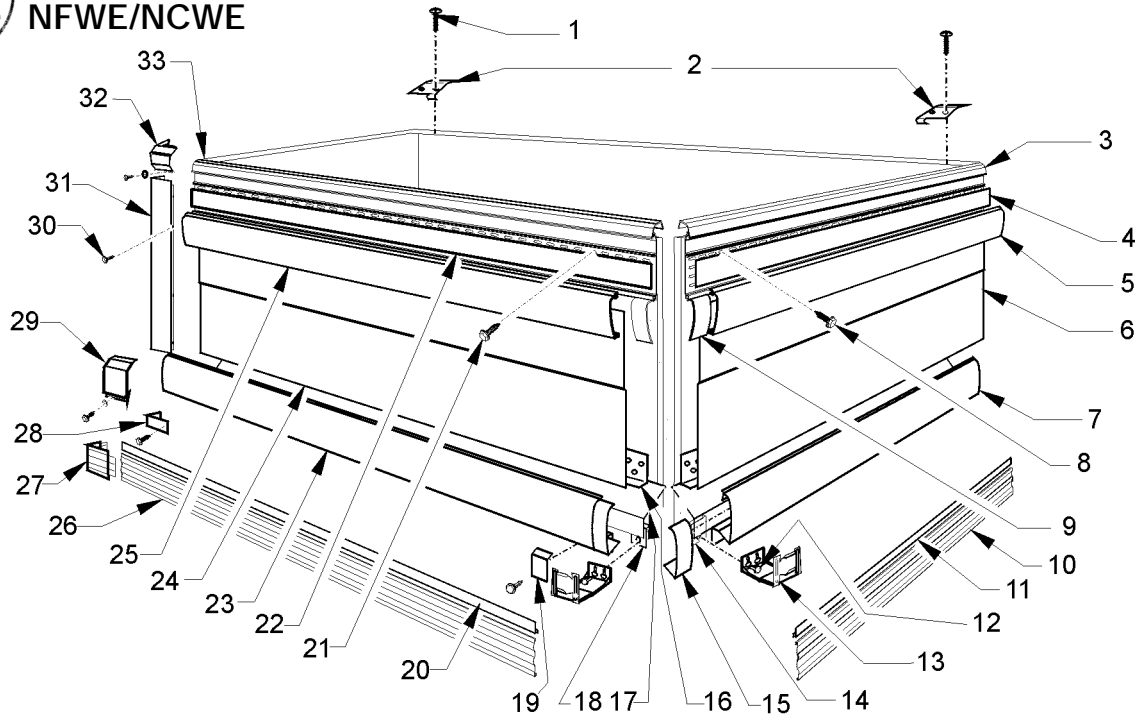
With Partition (145.062"):

Part Number
9042904
9042905
9042906
9042907



CLADDING, COVERS AND TRIMS - (CONT'D)

NFWE/NCWE



End Merchandiser

Item	Part No.	Qty.	Description	Item	Part No.	Qty.	Description
1	5205439	4	Screw (2 per trim)	18	9041324	4	Front Raceway CVR Support
2	5216949	1	LH Joint Riser Trim	19	9023841	8	Raceway Cover Retainer
	5216948	1	RH Joint Riser Trim	20	+	1	Front Kickplate Extension [OPTL]
3	+	2	Side Bumper Retainer	21	9025833	10	Shoulder Screw
4	9023789	2	Side Color Band, Painted	22	9023791	1	Front Color Band, Painted
5	+	2	Side Bumper	23	+	1	Front Raceway Cover
6	9025640	2	Side Cladding, Painted	24	9025641	1	Front Cladding, Painted
	5183536	10	Screw (5 per side)	25	+	1	Front Bumper
7	+	2	Side Raceway Cover	26	+	1	Front Kickplate
8	9025833	16	Shoulder Screw (8 per side)	27	+	2	Kickplate Corner Trim
9	+	A/R	Bumper Backer (per end case)		5104702	2	Rivet (1 per corner trim)
10	+	2	Side Kickplate	28	9300456	2	Corner "L" Bracket
11	+	2	Side Kickplate Extension [OPTL]		5183536	4	Screw (2 per bracket)
12	9025833	8	Shoulder Screw	29	+	2	Raceway Corner Trim
13	9042341	6	Kickplate Support Assy. (per end case)		5183536	4	Screw (2 per trim)
14	9041327	4	Side Raceway CVR Support (2 per side)		5100973	4	Washer (2 per trim)
	5183536	8	Screw (2 per hanger)	30	5183536	8	Screw (4 per cladding)
15	+	A/R	Raceway Cover Backer (per end case)	31	9026181	2	Corner Cladding, Painted
16	9300197	8	Cladding Retainer (per end case)	32	+	2	Bumper Corner Trim
	5183536	24	Screw (3 per retainer)		9025833	4	Screw (2 per corner trim)
17	9041256	1	Front Raceway Assembly		5100973	4	Washer (2 per corner trim)
	9301367	1	Front Raceway	33	+	1	Front Bumper Retainer
	9300267	1	RH Side Raceway				

+ See pages C10 and C11 for parts breakdown per color.



CLADDING, COVERS AND TRIMS - (CONT'D)

NFWE/NCWE

Bumper Corner Trim [Item 32]

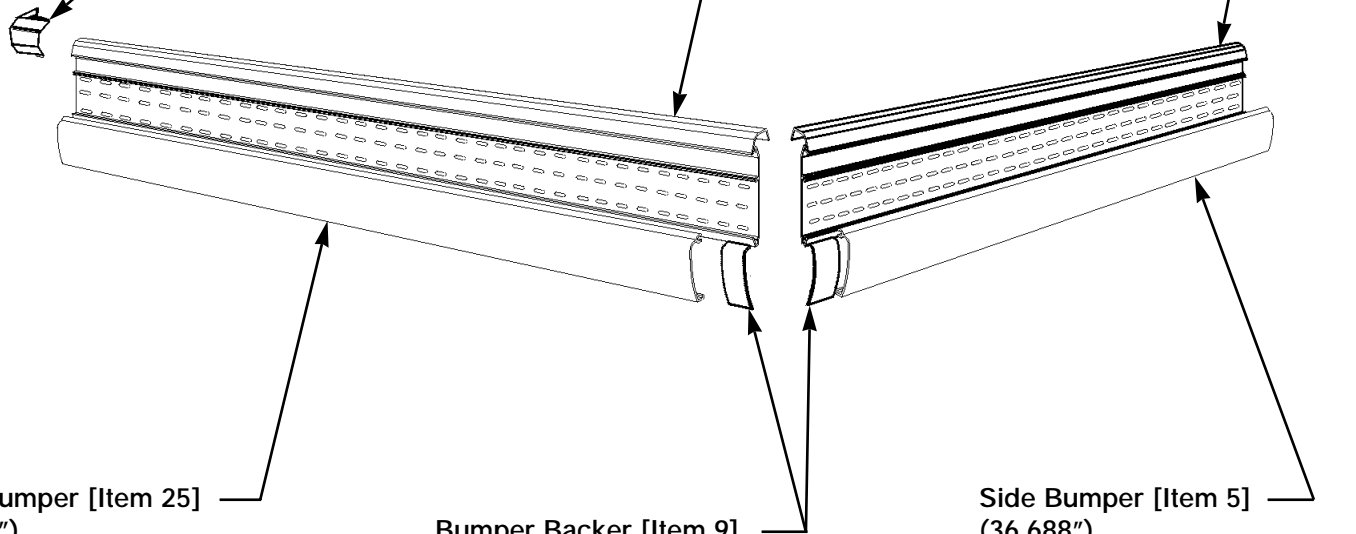
Part Number	Color
9025465	White
9026186	Bone White
9026187	Misty Gray
9026188	Pearl
9026189	Oatmeal
9026190	Soft Sand
9026191	Chromium
9026192	Cool Gray
9026193	Oyster
9026194	Black
9028881	Steel Gray
9029583	Cherry Red
9031888	Chocolate
9031889	Mocha
9031890	Stone

Front Bumper Retainer [Item 33] (46.500")

Part Number	Color
9025485	White
9025498	Bone White
9025511	Misty Gray
9025524	Pearl
9025537	Oatmeal
9025550	Soft Sand
9025564	Chromium
9025577	Cool Gray
9025590	Oyster
9025603	Black
9028922	Steel Gray
9029525	Cherry Red
9031779	Chocolate
9031806	Mocha
9031860	Stone

Side Bumper Retainer [Item 3] (36.688")

Part Number	Color
9025483	White
9025496	Bone White
9025509	Misty Gray
9025522	Pearl
9025535	Oatmeal
9025548	Soft Sand
9025562	Chromium
9025575	Cool Gray
9025588	Oyster
9025601	Black
9028921	Steel Gray
9029524	Cherry Red
9031778	Chocolate
9031805	Mocha
9031859	Stone



Front Bumper [Item 25] (46.750")

Part Number	Color
9025025	White
9025255	Bone White
9025276	Misty Gray
9025297	Pearl
9025318	Oatmeal
9025339	Soft Sand
9025360	Chromium
9025381	Cool Gray
9025402	Oyster
9025423	Black
9028887	Steel Gray
9029482	Cherry Red
9031668	Chocolate
9031705	Mocha
9031742	Stone

Bumper Backer [Item 9]

Part Number	Color
9025023	White
9025028	Bone White
9025035	Misty Gray
9025038	Pearl
9025041	Oatmeal
9025253	Soft Sand
9025258	Chromium
9025265	Cool Gray
9025268	Oyster
9025271	Black
9028883	Steel Gray
9029581	Cherry Red
9031884	Chocolate
9031885	Mocha
9031886	Stone

Side Bumper [Item 5] (36.688")

Part Number	Color
9025022	White
9025252	Bone White
9025273	Misty Gray
9025294	Pearl
9025315	Oatmeal
9025336	Soft Sand
9025357	Chromium
9025378	Cool Gray
9025399	Oyster
9025420	Black
9028886	Steel Gray
9029481	Cherry Red
9031667	Chocolate
9031704	Mocha
9031741	Stone



CLADDING, COVERS AND TRIMS - (CONT'D)

NFWE/NCWE

Raceway Corner Trim [Item 29]

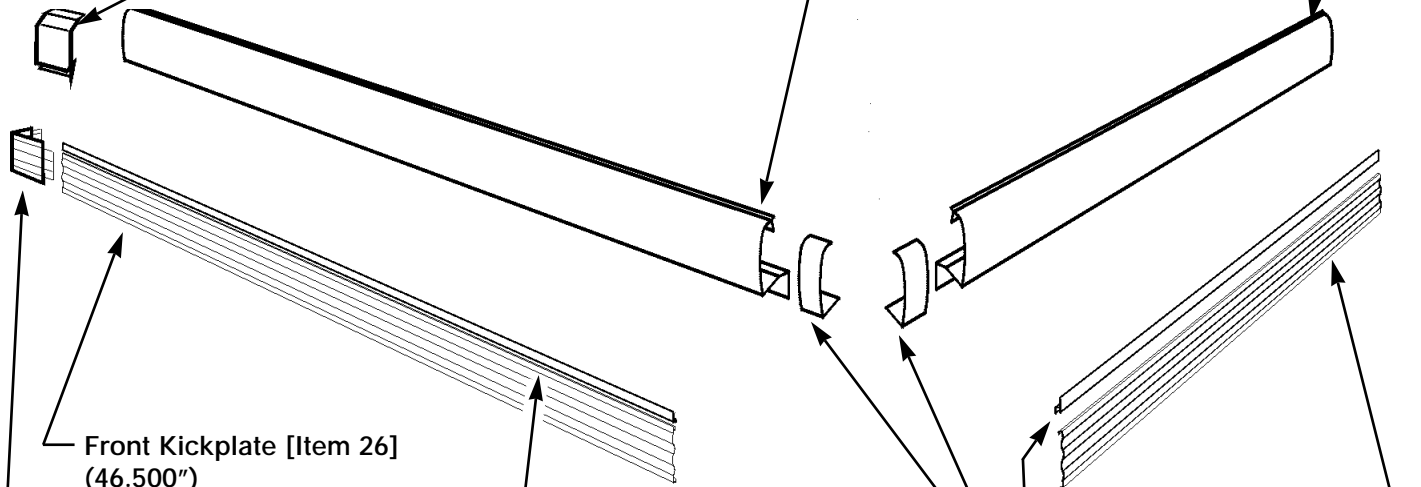
Part Number	Color
9041800	White
9041801	Bone White
9041802	Misty Gray
9041803	Pearl
9041804	Oatmeal
9041805	Soft Sand
9041806	Chromium
9041807	Cool Gray
9041808	Oyster
9041809	Black
9041811	Steel Gray
9041812	Chocolate
9041813	Mocha
9041814	Stone
9041815	Cherry Red

Front Raceway Cover [Item 23] (46.500")

Part Number	Color
9025660	White
9026084	Bone White
9025680	Misty Gray
9025691	Pearl
9025702	Oatmeal
9025713	Soft Sand
9025724	Chromium
9025735	Cool Gray
9025746	Oyster
9025757	Black
9029552	Cherry Red
9031559	Chocolate
9031586	Mocha
9031640	Stone
9310648	Steel Gray

Side Raceway Cover [Item 7] (36.688")

Part Number	Color
9025659	White
9026083	Bone White
9025679	Misty Gray
9025690	Pearl
9025701	Oatmeal
9025712	Soft Sand
9025723	Chromium
9025734	Cool Gray
9025745	Oyster
9025756	Black
9029551	Cherry Red
9031558	Chocolate
9031585	Mocha
9031639	Stone
9310647	Steel Gray



Front Kickplate [Item 26] (46.500")

Part Number	Color
9041590	Cool Gray
9041591	Black
9041592	Pearl
9041594	Steel Gray

Optional Front Kickplate Extension [Item 20] (46.500")

Part Number	Color
9042788	Cool Gray
9042789	Black
9042790	Pearl
9042791	Steel Gray

Kickplate Corner Trim [Item 27]

Part Number	Color
9042157	Cool Gray
9042158	Black
9042159	Pearl
9042160	Steel Gray

Raceway Cover Backer [Item 15]

Part Number	Color
9025795	White
9025796	Bone White
9025797	Misty Gray
9025798	Pearl
9025799	Oatmeal
9025800	Soft Sand
9025801	Chromium
9025802	Cool Gray
9025803	Oyster
9025804	Black
902582	Cherry Red
9031907	Chocolate
9031908	Mocha
9031909	Stone
9310683	Steel Gray

Side Kickplate [Item 10] (36.688")

Part Number	Color
9041585	Cool Gray
9041586	Black
9041587	Pearl
9041589	Steel Gray

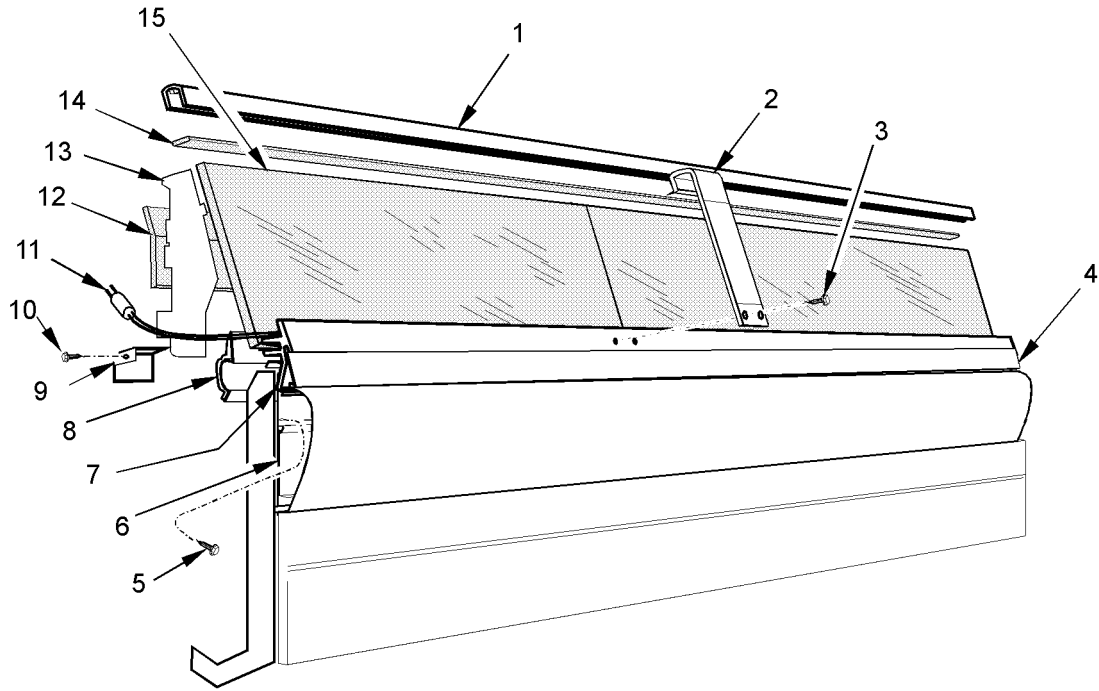
Optional Side Kickplate Extension [Item 11] (36.688")

Part Number	Color
9042784	Cool Gray
9042785	Black
9042786	Pearl
9042787	Steel Gray



CLADDING, COVERS AND TRIMS - (CONT'D)

FRONT GLASS - NFWG/NCWG

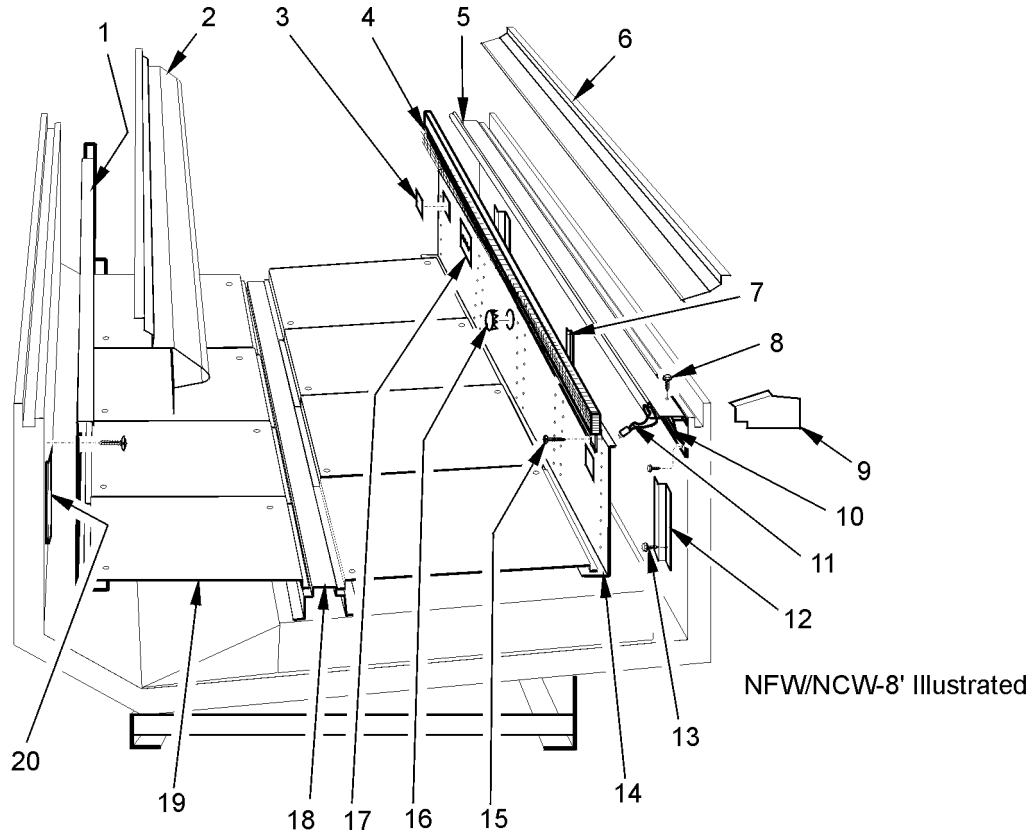


8' or 12' Merchandiser

Item	Part No.	Quantity		Description	Item	Part No.	Quantity		Description
		8'	12'				8'	12'	
1	9026086	1	-	Front Glass Rail	5646031	1	1	Ground Wire Assy.	
	9026085	-	1	Front Glass Rail	5646032	1	1	Ground Lug	
2	9301808	1	1	Glass Joint Trim Assy.	5104702	2	2	Rivet	
3	5048626	2	2	Screw	11	5218331	1	-	Heater Wire
4	9020971	1	-	Color Band, Painted Front		5218332	-	1	Heater Wire
	9020972	-	1	Color Band, Painted Front	12	5225336	2	-	Barrier Plexiglas
5	9025833	36	52	Shoulder Screw		5228220	-	2	Barrier Plexiglas
6	9025058	1	-	Bumper Retainer, Front	13	9311573	1	1	LH Glass Support
	9025061	-	1	Bumper Retainer, Front		9311574	1	1	RH Glass Support
7	9300586	1	-	Front Glass Retainer Assy		9311464	1	1	LH Ctr. Glass Support
	9300587	-	1	Front Glass Retainer Assy		9311465	1	1	RH Ctr. Glass Support
	5183536	20	23	Screw		9034984	1	1	Int. Glass Joint Close-off
8	5201014	1	-	Rear Glass Retainer		9311125	2	2	Screw
	5201015	-	1	Rear Glass Retainer		5103997	2	2	Lockwasher
	5100235	8	12	Screw		5223244	2	2	Acorn Nut
	9311575	1	-	Foam Cover		1309067	16	16	Screw
	9311576	-	1	Foam Cover	14	5000395	1	1	Filament Tape
9	9311581	1	1	LH Wire Cover	15	5227998	2	-	Thermo Glass
	9311579	1	1	RH Wire Cover		5957497	-	2	Thermo Glass
10	5183536	2	2	Screw		5228291	1	1	Butyl Tape



STRUCTURAL COMPONENTS DUCTS AND PANELS - NFW/NCW/NFWG/NCWG



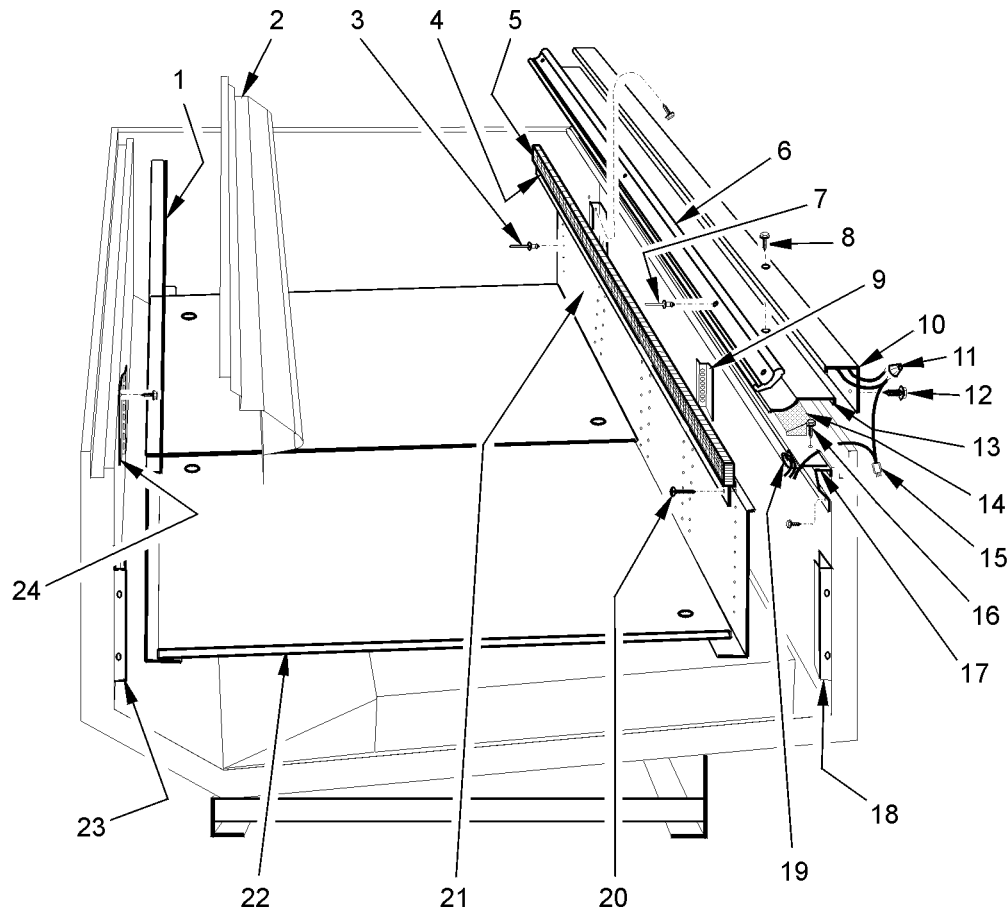
NFW/NCW-8' Illustrated

8' or 12' Merchandiser

Item	Part No.	Quantity		Description	Item	Part No.	Quantity		Description	
		8'	12'				8'	12'		
1	5203214	1	-	Front Duct Panel, NFW/NCW	9	5215591	1	1	RH Rear Riser Close-off	
	5229721	1	-	Frt Duct Panel, NFWG/NCWG		5215592	1	1	LH Rear Riser Close-off	
	5203215	-	1	Front Duct Panel, NFW/NCW		10	5216197	1	-	Air Vane
	5229722	-	1	Frt Duct Panel, NFWG/NCWG		5216198	-	1	-	Air Vane
2	5229244	1	-	Front Trim Guard, NFW/NCW	5120943	10	16	-	Screw	
	5229245	-	1-	Front Trim Guard, NFW/NCW	11	5124818	1	-	Heater Wire, 115V	
	5104702	5	7	Rivet	5124216	1	-	-	Heater Wire, 220V	
	5183536	5	7	Screw	5124819	-	1	-	Heater Wire, 115V	
3	5646033	4	4	Inspection Plate	5124217	-	1	-	Heater Wire, 220V	
	4	5216214	2	3	Grid & Retainer Assy	12	5182037	2	3	Rear Z-Bar
5208576		2	3	Discharge Grid	13	5120943	14	23	Screw	
5214669		2	3	Adhesive - Silaprene	14	5203218	1	-	Rear Duct Panel	
5988857		2	3	Lower Retainer	5203219	-	1	-	Rear Duct Panel	
5199134		6	9	Screw	15	5048626	41	59	Screw	
5	5149724	A/R	A/R	Silastic Sealant	16	5198993	3	4	Plug Button	
	5216215	1	-	Trim Rail & Heater Assy	17	5605357	1	1	Sensor Plate	
	5216216	-	1	Trim Rail & Heater Assy	*	5053988	1	-	Tray-to-Case Assy	
	5216219	1	-	Trim Rail	*	5053989	-	1	Tray-to-Case Assy	
	5216220	-	1	Trim Rail	18	5181975	1	-	Tray Support	
6	5057259	A/R	A/R	Aluminum Tape	5181976	-	1	-	Tray Support	
	5202991	1	-	Rear Trim Guard	5146542	2	2	-	End Support Close-off	
	5202992	-	1-	Rear Trim Guard	19	5181971	8	12	Tray Assembly	
7	5104702	5	7	Rivet	5120943	12	14	-	Screw	
	5182021	1	2	Center Z-Bar	20	5185180	3	4	Front Z-Bar, NFW/NCW	
8	5120943	4	6	Screw	5227993	2	4	-	Front Z-Bar, NFWG/NCWG	



STRUCTURAL COMPONENTS - (CONT'D)
 DUCTS AND PANELS - NFWE/NCWE

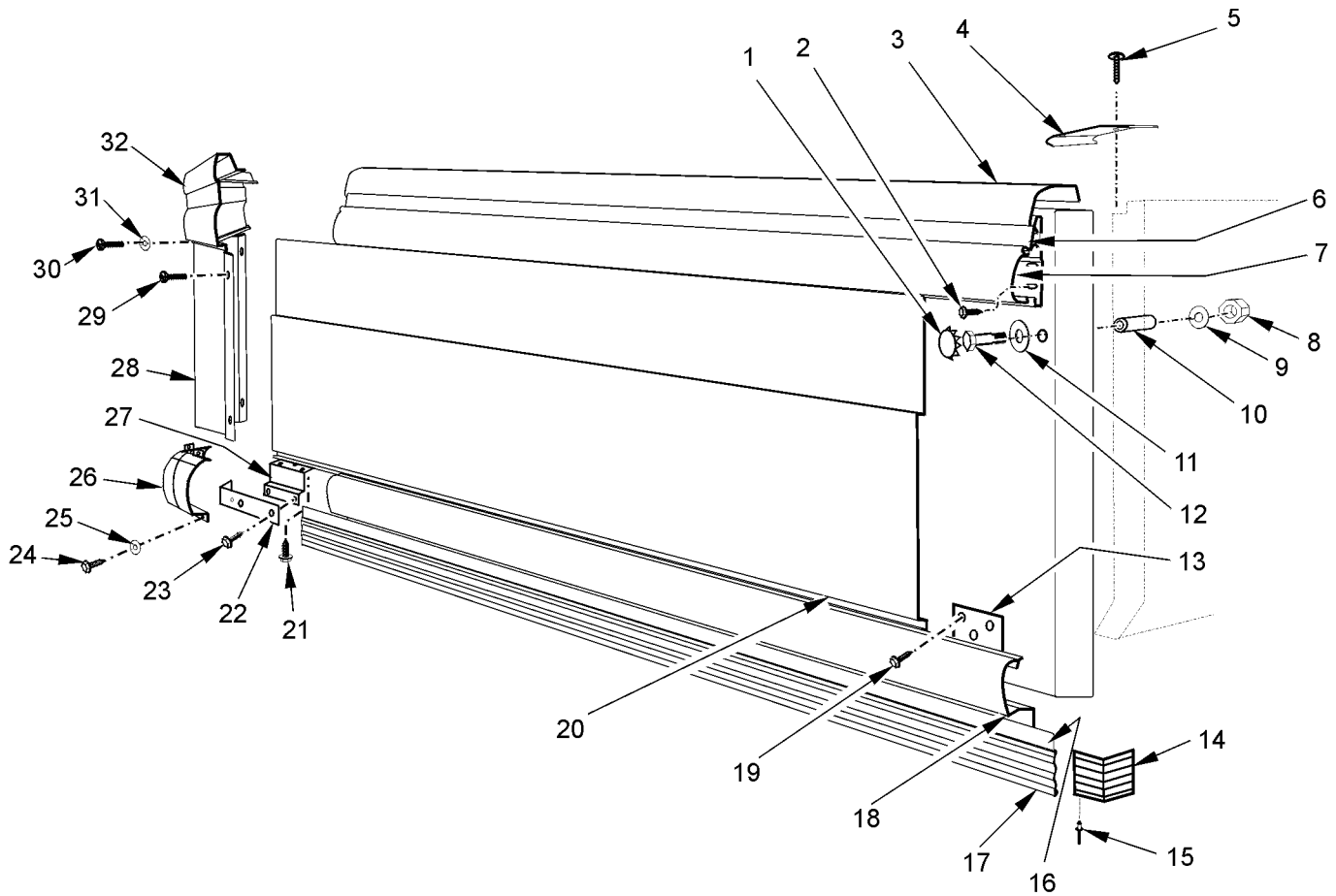


End Merchandiser

Item	Part No.	Qty.	Description	Item	Part No.	Qty.	Description
1	5225811	1	Front Duct Panel	14	5086527	1	Rear Trim Guard Insulation
2	5225850	1	Front Trim Guard	15	5129895	1	Plug Harness
	5104702	3	Rivet	16	5183536	4	Screw
	5183536	3	Screw	17	5225799	1	Air Vane
3	5048626	12	Screw (6 per duct)		5183536	4	Screw
4	5225790	1	Grid Retainer	18	5091685	2	Rear Duct Close-off
5	5225791	1	Discharge Grid		5120943	4	Screw (2 per close-off)
6	5236913	1	Card Molding	19	5225804	1	Rear Grid Retainer Assy
7	9037520	4	Screw		5225805	2	Heater Wire, 115V
8	5183536	4	Screw		5639011	2	Heater Wire, 220V
9	5123676	1	Rear Duct Z-Bar		5225806	1	Rear Grid Retainer
	5120943	2	Screw		5108656	A/R	Aluminum Tape
10	5225808	1	Rear Trim Rail Assy		5183536	4	Screw
	5225810	1	Heater Wire, 115V	20	5102643	4	Screw
	5639012	1	Heater Wire, 220V	21	5225812	1	Rear Duct Panel
	5225809	1	Rear Trim Rail	22	5225783	2	Bottom Tray Assy
	5108656	A/R	Aluminum Tape	23	5109906	2	Front Duct Close-off
11	5145679	2	Wire Connector		5102943	4	Screw (2 per close-off)
12	5205439	3	Screw	24	5108286	1	Front Duct Z-Bar
13	5225807	1	Rear Trim Guard		5120943	2	Screw



STRUCTURAL COMPONENTS - (CONT'D)
WRAP ENDS, PATCH ENDS, PARTITIONS AND DIVIDERS
Wrap Ends - NFW/NCW



Item	Part No.	Qty.	Description	Item	Part No.	Qty.	Description
*	9041942	1	Wrap End Assy, Ptd. w/ FRP Liner	14	+	2	Kickplate Corner Trim
*	9322704	1	Wrap End Assy, Ptd. w/ BLK Liner	15	5104702	2	Rivet (1 per trim)
*	9301534	1	Wrap End Bench Assy w/ FRP Liner	16	+	1	Kickplate Extension [OPTL]
*	9322720	1	Wrap End Bench Assy w/ BLK Liner	17	+	1	Kickplate
1	5105873	2	Plug Button	18	+	1	Raceway Cover
2	9025833	12	Shoulder Screw		9041918	3	Raceway Cover Retainer
3	+	1	Bumper Retainer		5183536	6	Screw (2 per retainer)
4	5207490	1	Front End Trim	19	5183536	6	Screw (3 per retainer)
	9303016	1	Rear End Trim	20	9041918	1	End Cladding, Ptd.
5	5048626	4	Screw (2 per end trim)	21	5183536	9	Screw (3 per hanger)
6	9023791	1	Color Band - Painted	22	9300456	2	Corner Bracket
7	+	1	Bumper	23	5183536	4	Screw (2 per bracket)
8	5126973	2	Elastic Stop Nut	24	5183536	4	Screw (2 per trim)
9	5101006	3	Lockwasher	25	5100973	4	Washer (2 per trim)
10	5053056	2	Pull-up Extension Sleeve	26	+	2	Raceway Corner Trim
11	5100979	2	Washer	27	9300455	3	End Kickplate Hanger
12	5145961	2	Tapping Bolt	28	9041336	2	Cladding Corner Trim
13	9300197	2	Cladding Retainer	29	5183536	8	Screw (4 per trim)
				30	9025833	4	Screw (2 per trim)
				31	5100973	4	Washer (2 per trim)
				32	+	2	Upper Corner Trim

+ See page S4 for parts breakdown per color.



STRUCTURAL COMPONENTS - (CONT'D)

WRAP ENDS, PATCH ENDS, PARTITIONS AND DIVIDERS

Wrap Ends - NFW/NCW

Upper Corner Trim [Item 32]

Part Number	Color
9025465	White
9026186	Bone White
9026187	Misty Gray
9026188	Pearl
9026189	Oatmeal
9026190	Soft Sand
9026191	Chromium
9026192	Cool Gray
9026193	Oyster
9026194	Black
9028881	Steel Gray
9029583	Cherry Red
9031888	Chocolate
9031889	Mocha
9031890	Stone

Bumper Retainer (46.500") [Item 3]

Part Number	Color
9025485	White
9025498	Bone White
9025511	Misty Gray
9025524	Pearl
9025537	Oatmeal
9025550	Soft Sand
9025564	Chromium
9025577	Cool Gray
9025590	Oyster
9025603	Black
9028922	Steel Gray
9029525	Cherry Red
9031779	Chocolate
9031806	Mocha
9031860	Stone

Bumper (46.500") [Item 7]

Part Number	Color
9025025	White
9025255	Bone White
9025276	Misty Gray
9025297	Pearl
9025318	Oatmeal
9025339	Soft Sand
9025360	Chromium
9025381	Cool Gray
9025402	Oyster
9025423	Black
9028887	Steel Gray
9029482	Cherry Red
9031668	Chocolate
9031705	Mocha
9031742	Stone

Raceway Corner Trim [Item 26]

Part Number	Color
9041800	White
9041801	Bone White
9041802	Misty Gray
9041803	Pearl
9041804	Oatmeal
9041805	Soft Sand
9041806	Chromium
9041807	Cool Gray
9041808	Oyster
9041809	Black
9041811	Steel Gray
9041812	Chocolate
9041813	Mocha
9041814	Stone
9041815	Cherry Red

Kickplate CornerTrim [Item 14]

Part Number	Color
9042157	Cool Gray
9042158	Black
9042159	Pearl
9042160	Steel Gray

Kickplate (46.500") [Item 17]

Part Number	Color
9041590	Cool Gray
9041591	Black
9041592	Pearl
9041594	Steel Gray

Optional Kickplate Extension (46.500") [Item 16]

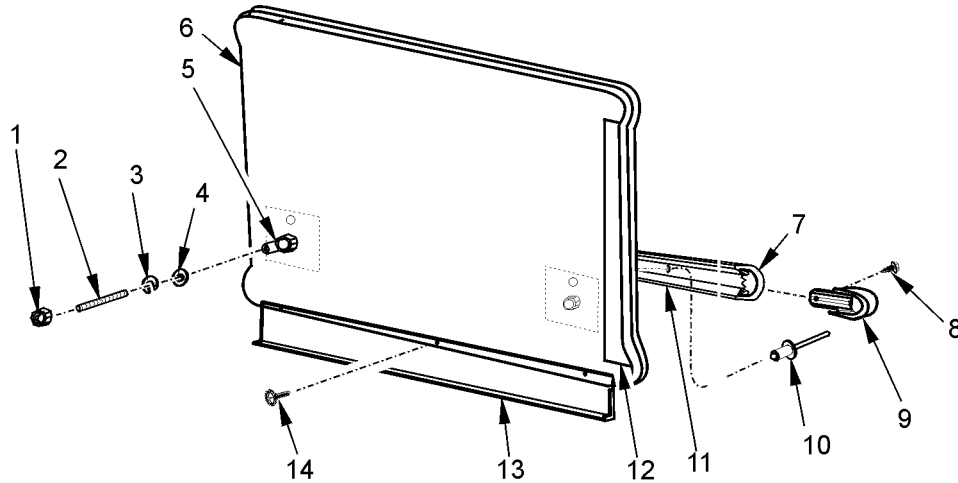
Part Number	Color
9042788	Cool Gray
9042789	Black
9042790	Pearl
9042791	Steel Gray

Raceway Cover (46.500") [Item 18]

Part Number	Color
9025660	White
9025084	Bone White
9025680	Misty Gray
9025691	Pearl
9025702	Oatmeal
9025713	Soft Sand
9025724	Chromium
9025735	Cool Gray
9025746	Oyster
9025757	Black
9029552	Cherry Red
9031559	Chocolate
9031586	Mocha
9031640	Stone
9310648	Steel Gray



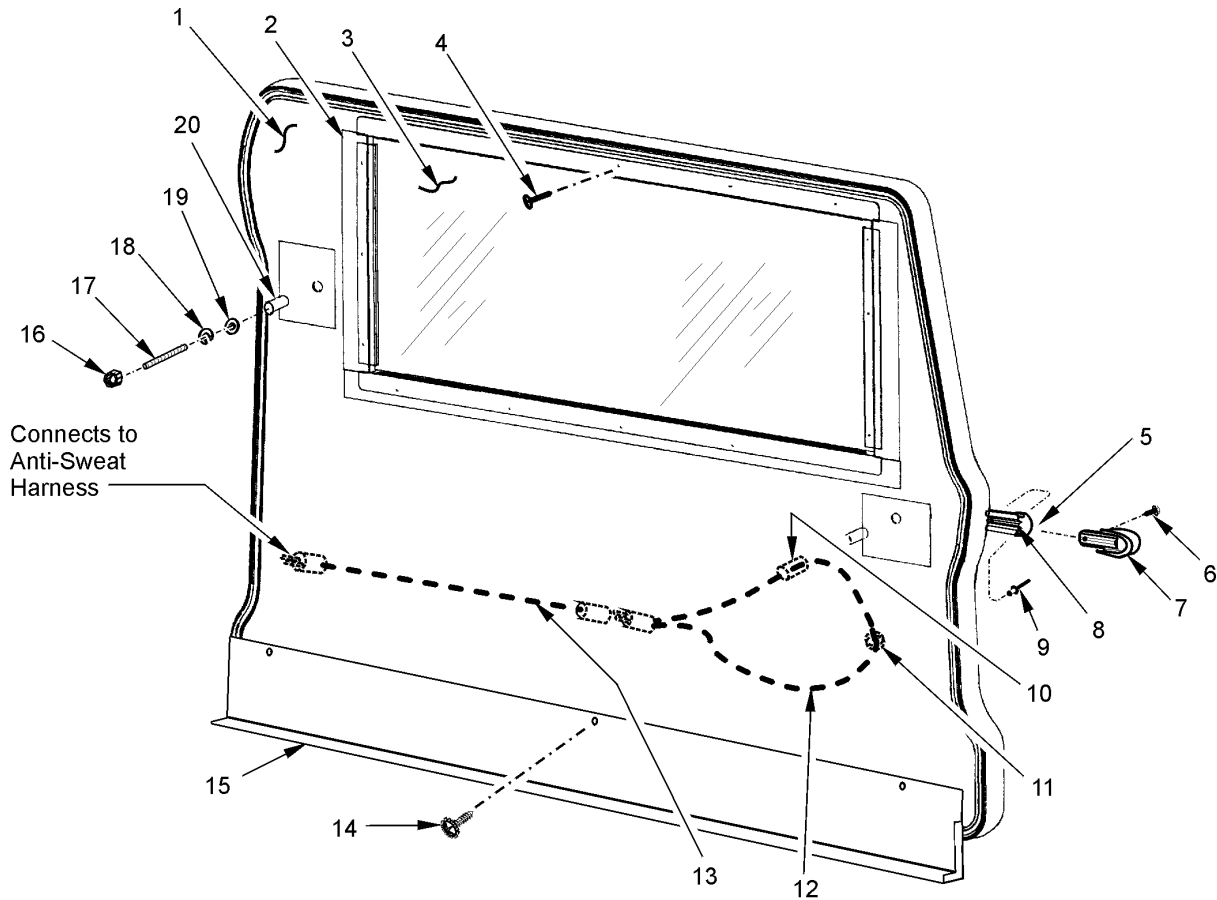
STRUCTURAL COMPONENTS - (CONT'D)
WRAP ENDS, PATCH ENDS, PARTITIONS AND DIVIDERS
Solid Patch Ends - NFW/NCW/NFWG/NCWG



Item	Part No.	Qty.	Description	Item	Part No.	Qty.	Description
*	9022339	1	RH Flat End Assy., Ptd. w/FRP Liner (NFW/NCW)		9028260	1	RH Flat End Bench Assy., Ptd. w/FRP Liner (NFWG/NCWG)
*	9302081	1	LH Flat End Assy., Ptd w/FRP Liner (NFW/NCW)		9028261	1	LH Flat End Bench Assy., Ptd. w/FRP Liner (NFWG/NCWG)
*	9322746	1	RH Flat End Assy., Ptd. w/BLK Liner (NFW/NCW)		9322671	1	RH Flat End Bench Assy., Ptd. w/BLK Liner (NFWG/NCWG)
*	9322795	1	LH Flat End Assy., Ptd w/BLK Liner (NFW/NCW)		9322672	1	LH Flat End Bench Assy., Ptd. w/BLK Liner (NFWG/NCWG)
*	9022343	1	RH Flat End Assy., Ptd. w/FRP Liner (NFWG/NCWG)	7	9027979	2	1" End Bumper, Cool Gray
*	9022344	1	LH Flat End Assy., Ptd. w/FRP Liner (NFWG/NCWG)		9027980	2	1" End Bumper, Black
*	9322747	1	RH Flat End Assy., Ptd. w/BLK Liner (NFWG/NCWG)		9027981	2	1" End Bumper, Pearl
*	9322748	1	LH Flat End Assy., Ptd. w/BLK Liner (NFWG/NCWG)		9310877	2	1" End Bumper, Steel Gray
1	5100625	2	Nut, 5/16"-18	8	5053985	4	Screw
2	9022759	2	Stud, 5/16"-18 x 3"	9	9027743	4	End Cap, Cool Gray
3	5101003	2	Lockwasher		9027744	4	End Cap, Black
4	5100976	2	Washer		9027742	4	End Cap, Pearl
5	9022756	2	Threaded Insert		9027742	4	End Cap, Pearl
6	9028315	1	RH/LH Flat End Bench Assy., Ptd. w/FRP Liner (NFW/NCW)		9310881	4	End Cap, Steel Gray
	9322691	1	RH/LH Flat End Bench Assy., Ptd. w/BLK Liner (NFW/NCW)	10	5104702	24	Rivet
				11	9027884	2	Mounting Retainer
				12	9301372	1	End Protector Plate
					1309067	3	Screw
					5186737	1	Foam Gasket
				13	9027927	1	End Base Close-off, Ptd.
				14	5048626	3	Screw



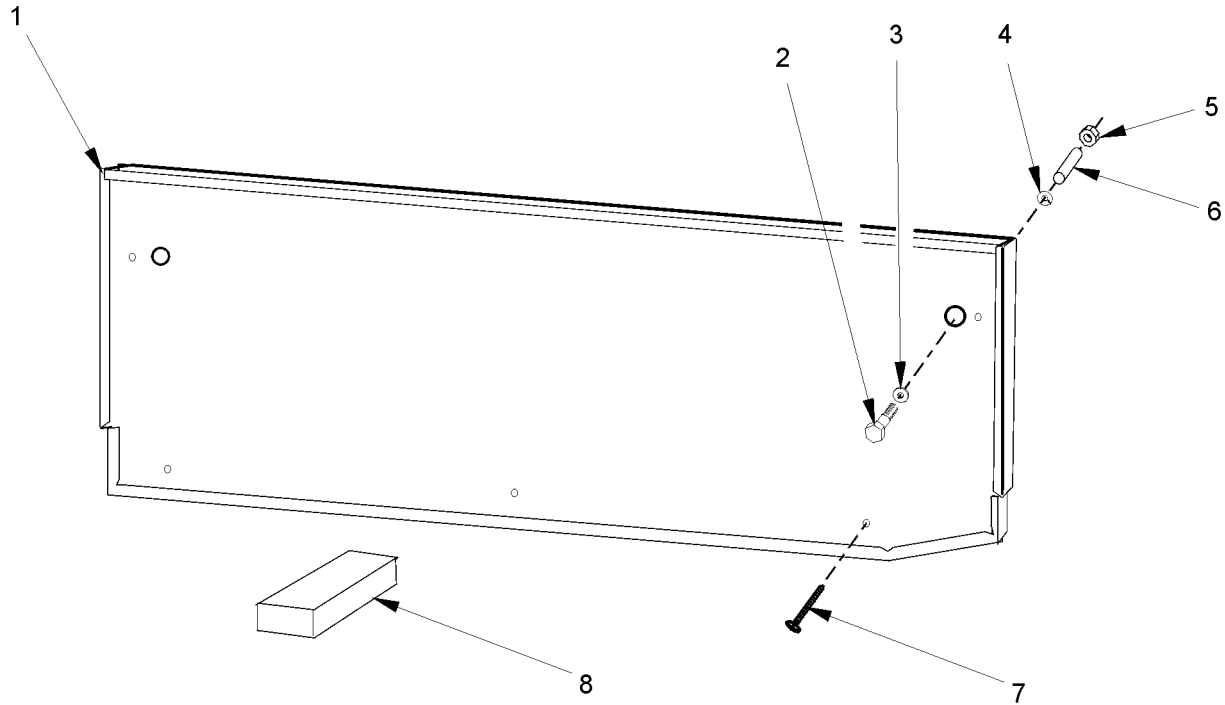
STRUCTURAL COMPONENTS - (CONT'D)
 WRAP ENDS, PATCH ENDS, PARTITIONS AND DIVIDERS
 Solid Patch Ends with Glass Insert - NFWG/NCWG



Item	Part No.	Qty.	Description	Item	Part No.	Qty.	Description
*	9022345	1	RH Flat End Assy w/Glass, Ptd. w/FRP Liner	6	5053985	4	Screw
*	9022346	1	LH Flat End Assy w/Glass, Ptd. w/FRP Liner	7	9027743	4	End Cap, Cool Gray
*	9322749	1	RH Flat End Assy w/Glass, Ptd. w/BLK Liner		9027744	4	End Cap, Black
*	9322750	1	LH Flat End Assy w/Glass, Ptd. w/BLK Liner		9027742	4	End Cap, Pearl
1	9028262	1	RH Flat End Bench Assy w/Glass, Ptd. w/FRP Liner		9310881	4	End Cap, Steel Gray
	9028263	1	LH Flat End Bench Assy w/Glass, Ptd. w/FRP Liner	8	9027884	2	Mounting Retainer
	9322673	1	RH Flat End Bench Assy w/Glass, Ptd. w/BLK Liner	9	5104702	24	Rivet
	9322674	1	LH Flat End Bench Assy w/Glass, Ptd. w/BLK Liner	*	9028442	1	RH Glass End Wiring Assy.
2	9301631	2	Frame Weld Assy	*	9028443	1	LH Glass End Wiring Assy.
3	9301633	1	Thermo Glass	10	5200903	2	Thermofit
4	5220472	20	Screw		5110786	2	Terminal Butt Connector
5	9027979	2	1" End Bumper, Cool Gray	11	5123674	1	Strain Relief
	9027980	2	1" End Bumper, Black	12	5129895	1	Harness (RH/LH End Wire Assy)
	9027981	2	1" End Bumper, Pearl	13	5199447	1	Harness (RH/LH End Wire Assy)
	9310877	2	1" End Bumper, Steel Gray		5123832	1	Harness (LH End Wire Assy)
					5123836	1	Harness (LH End Wire Assy)
				14	5048626	3	Screw
				15	9027927	1	End Base Close-off, Ptd.
				16	5100625	2	Nut, 5/16"-18
				17	9022759	2	Stud, 5/16"-18 x 3"
				18	5101003	2	Lockwasher
				19	5100976	2	Washer
				20	9022756	2	Threaded Insert



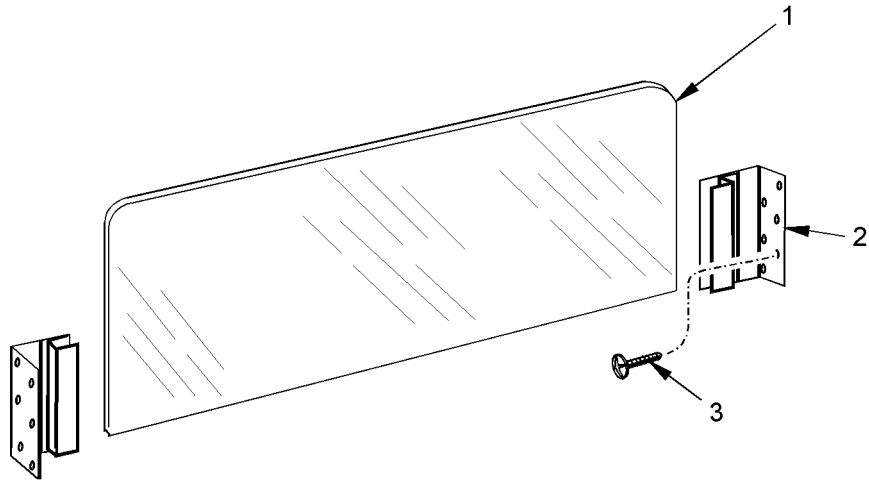
STRUCTURAL COMPONENTS - (CONT'D)
WRAP ENDS, PATCH ENDS, PARTITIONS AND DIVIDERS
1" Solid Partitions - NFW/NCW/NFWG/NCWG



Item	Part No.	Qty.	Description	Item	Part No.	Qty.	Description
*	9021563	1	1" Partition Assy., Ptd. w/WHT Liner (NFW/NCW)		9310759	1	1" Partition Bench Assy, Ptd. w/WHT Liner (NFWG/NCWG)
*	9322736	1	1" Partition Assy., Ptd. w/BLK Liner (NFW/NCW)	2	5145961	2	Bolt
*	9310758	1	1" Partition Assy., Ptd. w/WHT Liner (NFWG/NCWG)	3	5100979	2	Washer
1	9023432	1	1" Partition Bench Assy, Ptd. w/WHT Liner (NFW/NCW)	4	5101006	2	Lockwasher
	9322666	1	1" Partition Bench Assy, Ptd. w/BLK Liner (NFW/NCW)	5	5126973	2	Nut
				6	5053056	2	Pull-up Sleeve
				7	5111030	5	Screw
				8	9023431	1	Partition Filler Kit



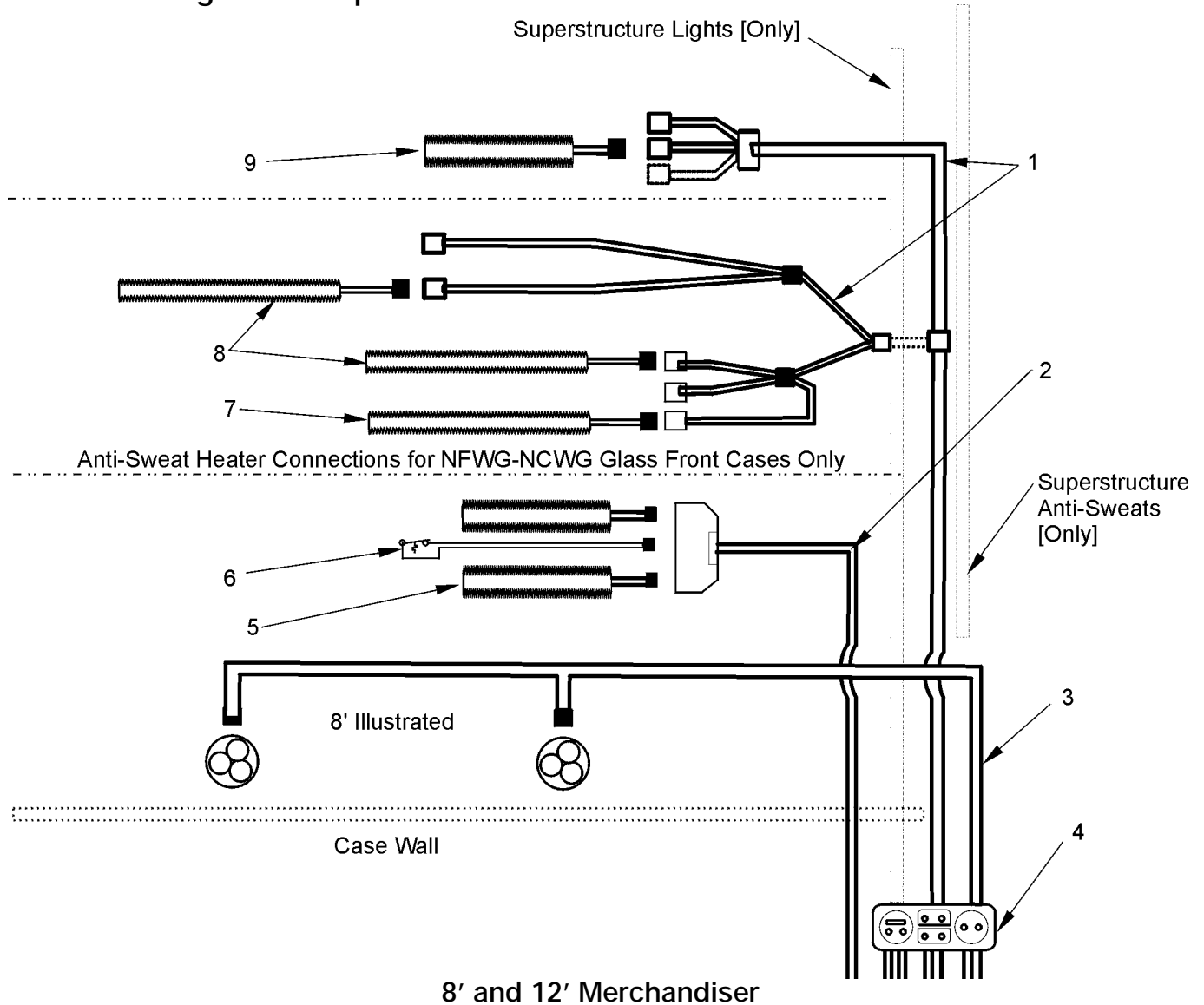
STRUCTURAL COMPONENTS - (CONT'D)
WRAP ENDS, PATCH ENDS, PARTITIONS AND DIVIDERS
Inside Dividers - NFW/NCW/NFWG/NCWG



Item	Part No.	Qty.	Description
*	5239704	1	Inside Plexiglas Divider Assy
1	5239701	1	Plexiglas Divider
	5183645	1	Solid Divider, Ptd
	5943406	1	Solid Divider, WHT
	9320363	1	Wire Divider
2	5028559	2	Side Support
3	5205439	10	Screw



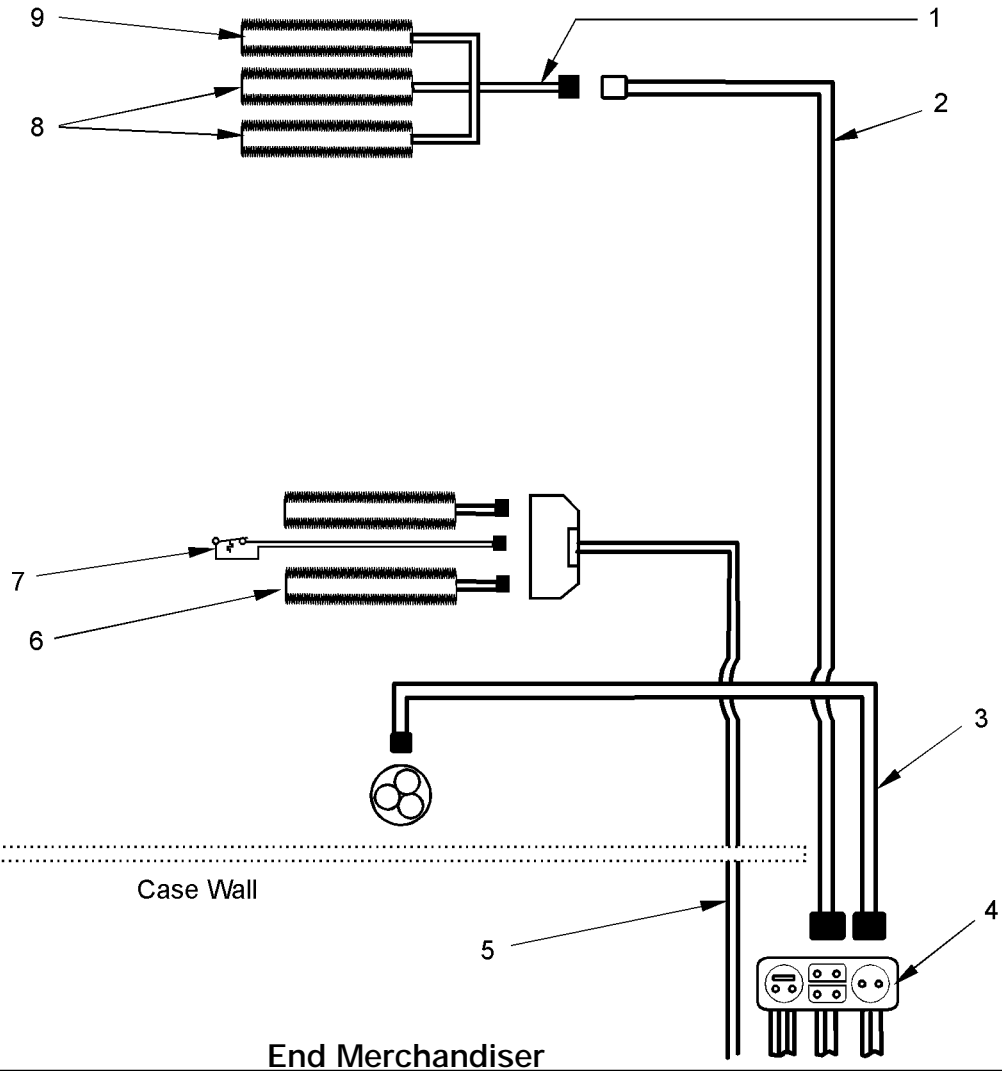
ELECTRICAL SYSTEM COMPONENTS
WIRING HARNESSSES - NFW/NCW/NFWG/NCWG
Wiring and Components



Item	Part No.	Quantity		Description	Item	Part No.	Quantity		Description
		8'	12'				8'	12'	
1	5210941	1	1	Anti-Sweat Harness (NFWNCW)	8	5227998	2	-	Thermo Glass
	5212544	1	1	Anti-Sweat Harness (NFWG/NCWG)		5957497	-	2	Thermo Glass
2	5219930	1	1	Harness, 220V Input		5129895	2	2	Harness, Male Plug
3	5199414	1	-	Fan Harness		5123836	1	1	Harness, Ext. (RH Glass)
	5199415	-	1	Fan Harness	9	5124818	1	-	Heater Wire, 115V RR Riser
4	5199320	1	1	Harness, 115V Input		5124819	-	1	Heater Wire, 115V RR Riser
5	5120521	2	-	Defrost Heater		5081149	1	-	Heater Wire, 220V RR Riser
	5124522	-	2	Defrost Heater		5081150	-	1	Heater Wire, 220V RR Riser
6	5125211	1	1	Klixon Thermostat	Hot Gas Options				
7	5218331	1	-	Heater Wire, Glass Retainer	-	5224113	1		Fan Control Jumper Harness
	5218332	-	1	Heater Wire, Glass Retainer		9023508	1		H.G. Term Klixon-55/40
						9023503	1		Fan Cont. Klixon-50/40



ELECTRICAL SYSTEM COMPONENTS - (CONT'D)
 WIRING HARNESSSES - NFWE/NCWE
 Wiring and Components



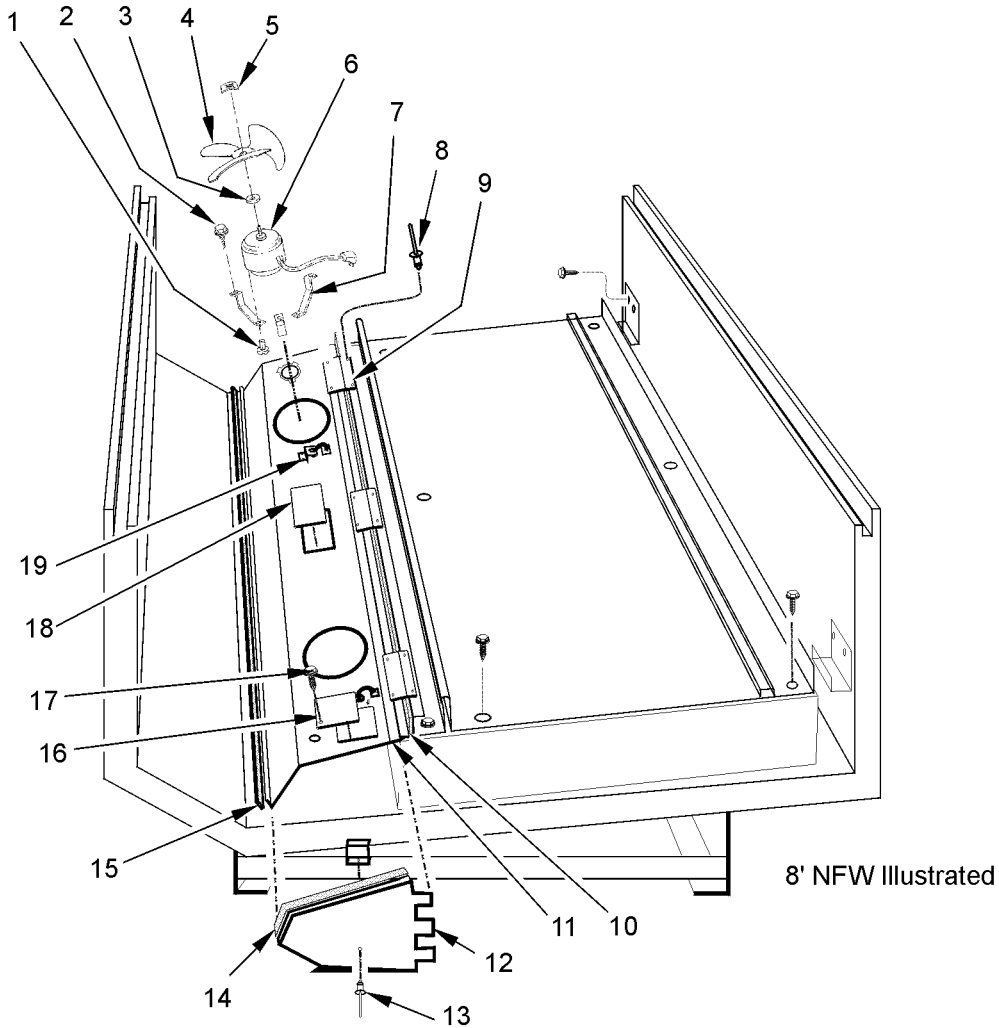
Item	Part No.	Qty.	Description
1	5129895	1	Anti-Sweat Harness
2	5123832	1	Anti-Sweat Harness
3	5199457	1	Fan Harness
4	5199320	1	Harness, 115V Input
5	5219930	1	Harness, 220V Input
6	5225840	2	Defrost Heater
7	5125211	1	Klixon Thermostat-50/30
8	5225805	2	Heater Wire, Rear Riser (115V)
	5639011	2	Heater Wire, Rear Riser (220V)
9	5225810	1	Heater Wire, Rear Trim Rail (115V)
	5639012	1	Heater Wire, Rear Trim Rail (220V)

Hot Gas Options

-	5224113	1	Fan Control Jumper Harness
	9023508	1	H.G. Term Klixon-55/40
	9023503	1	H.G. Fan Delay Klixon-50/40



ELECTRICAL SYSTEM COMPONENTS - (CONT'D)
 FAN SYSTEMS - NFW/NCW/NFWG/NCWG

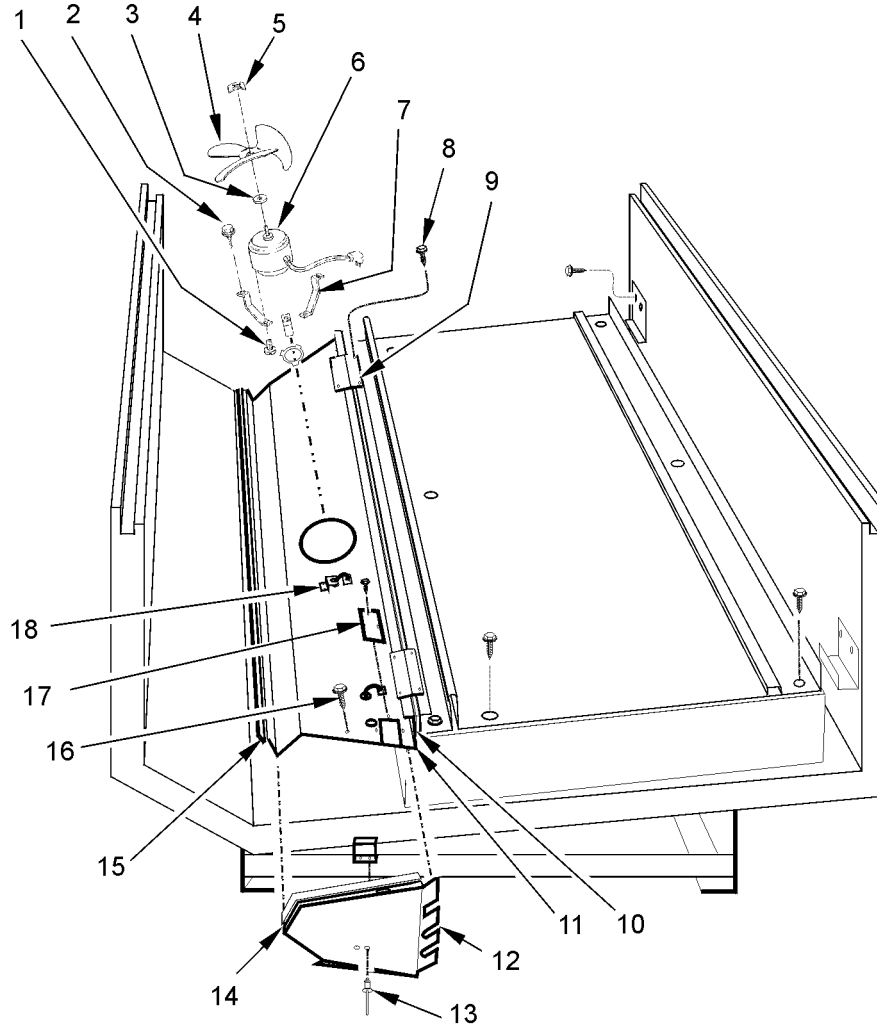


8' and 12' Merchandiser

Item	Part No.	Quantity		Description	Item	Part No.	Quantity		Description
		8'	12'				8'	12'	
*	5025799	2	3	Fan Motor & Bracket Assy.	11	5186097	1	-	Fan Panel
1	5224128	6	9	Screw		5186098	-	1	Fan Panel
2	5120943	6	9	Screw	12	5186099	1	1	RH Fan Panel Close-off
3	----	2	3	Gasket (furnished w/ motor)		5186100	1	1	LH Fan Panel Close-off
4	5104294	2	3	Fan Blade - 6", 27° Pitch	13	5104702	2	2	Rivet (1 per close-off)
5	----	2	3	Nut (furnished w/ motor)	14	5107190	3'	3'	Gasket (3' per 2 close-offs)
6	5125532	2	3	Fan Motor - 5W, 115V	15	5107190	8'	12'	Gasket
	5126572	2	3	Opt. Fan Motor - 5W, 220V	16	5629725	1	1	Access Cover
7	5213132	6	9	Fan Motor Bracket	17	5183536	2	2	Screw
	9041077	2	3	Fan Bracket MTG Plate	18	5644806	1	1	Inspection Hole Cover
8	5104702	12	16	Rivet	19	5206177	2	3	Fan Harness Clip
9	5186058	3	4	Hinge		5120943	2	3	Screw
10	5107190	8'	12'	Gasket		5122007	2	3	Strain Relief



ELECTRICAL SYSTEM COMPONENTS - (CONT'D)
 FAN SYSTEMS - NFW/NCWE

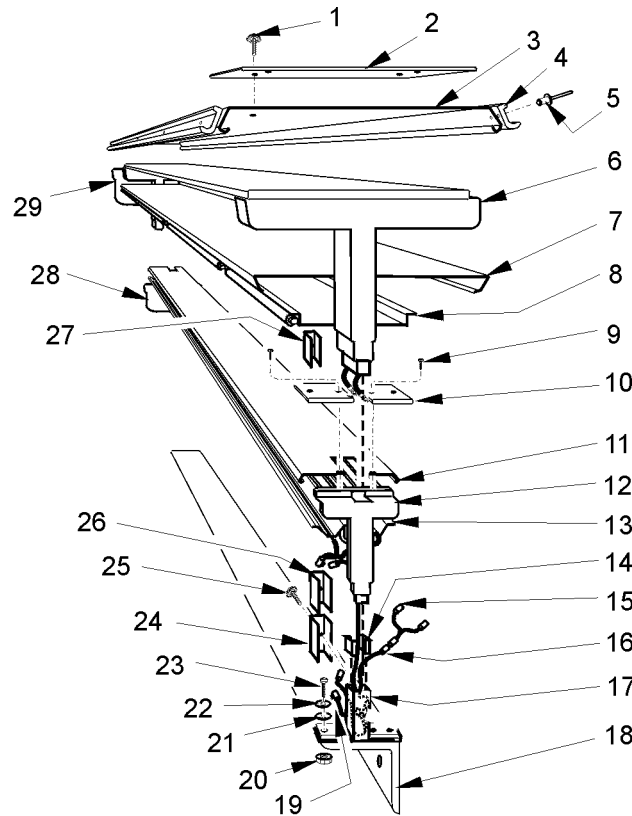


End Merchandiser

Item	Part No.	Qty.	Description	Item	Part No.	Qty.	Description
*	5025799	1	Fan Motor & Bracket Assy.	11	5225836	1	Fan Panel
1	5224128	3	Screw	12	5186094	1	RH Fan Panel Close-off
2	5120943	3	Screw		5186095	1	LH Fan Panel Close-off
3	----	1	Gasket (furnished w/ motor)	13	5104702	4	Rivet (2 per close-off)
4	5104294	1	Fan Blade - 6", 27° Pitch	14	5107190	2' 7"	Gasket (1" 3.5" per close-off)
5	----	1	Nut (furnished w/ motor)	15	5107190	2' 6"	Gasket
6	5125532	1	Fan Motor - 5W, 115V	16	5183536	2	Screw
	5126572	1	Opt. Fan Motor - 5W, 220V	17	5229021	1	Fan Panel Cover
7	5213132	3	Fan Motor Bracket		5120943	3	Screw
	9041077	1	Fan Bracket MTG Plate	18	5206177	1	Fan Harness Clip
8	5120746	8	Screw		5120943	1	Screw
9	5186058	2	Hinge		5123674	1	Strain Relief
10	5107190	3'	Gasket				



ELECTRICAL SYSTEM COMPONENTS - (CONT'D)
 OPTIONAL SUPERSTRUCTURE COMPONENTS - NFW/NCW/NFWG/NCWG
 Center Superstructure - 12" & 18" 2FSL

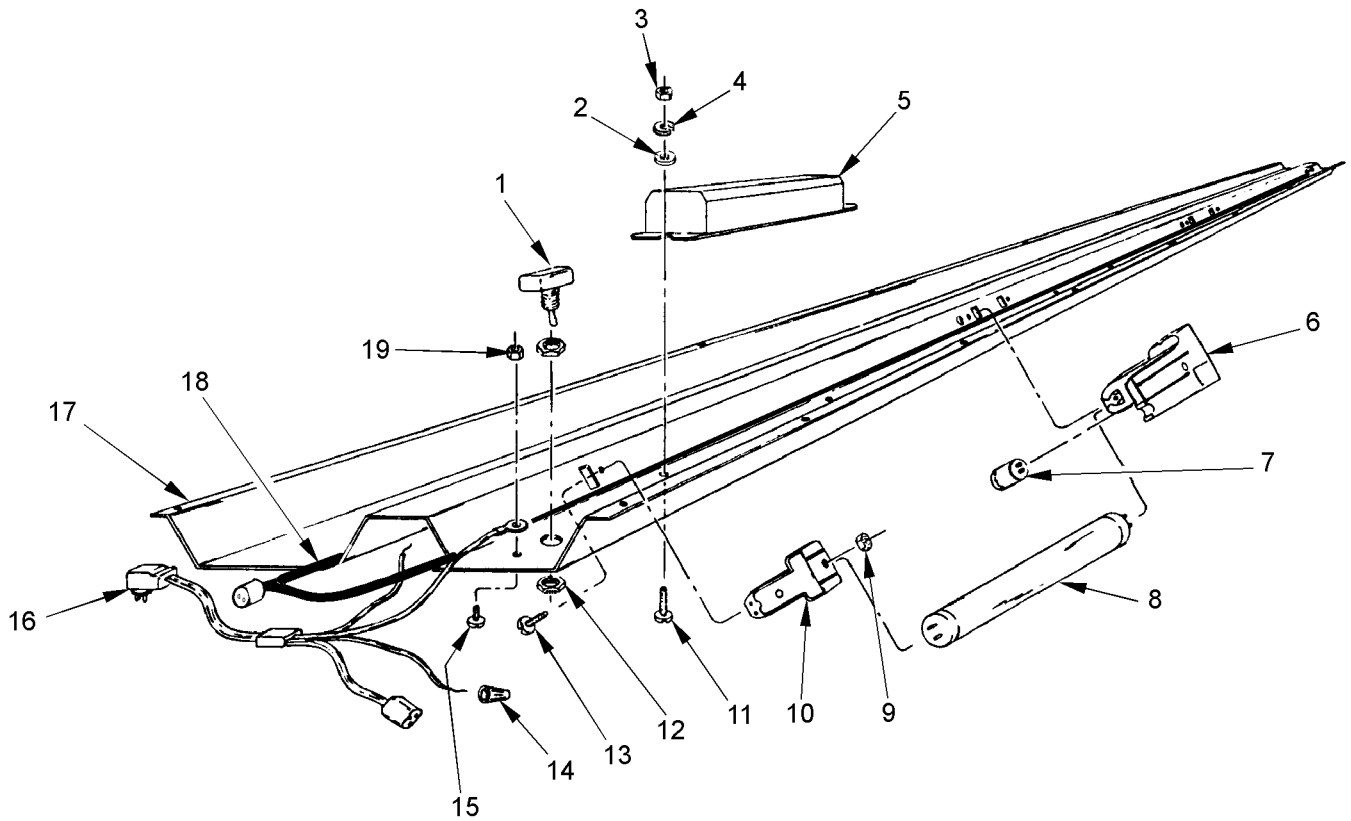


8' and 12' Merchandiser

Item	Part No.	Quantity		Description	Item	Part No.	Quantity		Description
		8'	12'				8'	12'	
*	5028495	1	-	Center Superstructure Assy.		5236936	-	1	Card Molding
*	5028496	-	1	Center Superstructure Assy.		5104702	16	24	Rivet
*	5037315	1	-	18" Shelf Bench Assy.	12	5028374	1	-	12" Shelf Weld Assy.
*	5037316	-	1	18" Shelf Bench Assy.		5028375	-	1	12" Shelf Weld Assy.
1	5619204	4	4	Screw		5107443	4	4	Bolt
2	5109265	1	1	Shelf Joint Trim	13	5036566	1	-	Light Channel Assy.
3	5602780	1	-	Top Panel		5036567	-	1	Light Channel Assy. (see page E6 for breakdown)
	5602781	-	1	Top Panel	14	5109491	1	1	Heat Unit
4	5236930	2	-	Card Molding	15	5124209	2	2	Heater Harness
	5236936	-	2	Card Molding	16	5123837	1	1	Heater Harness
5	5104702	16	24	Rivet	17	5028153	2	2	Upright Assy.
6	5028161	1	-	18" Shelf Weld Assy.	18	5232715	2	2	Support Angle
	5036506	-	1	18" Shelf Weld Assy.	19	5220493	1	1	Light Harness
7	5036513	1	-	Deflector Assy.	20	5223889	12	12	Nut
	5036514	-	1	Deflector Assy.	21	5100979	18	18	Washer
8	5036564	1	-	Light Channel Assy.	22	5101006	13	13	Lockwasher
	5036565	-	1	Light Channel Assy. (see page E7 for breakdown)	23	5109019	9	9	Screw
*	5037313	1	-	12" Shelf Bench Assy.	24	5123662	2	2	Upright Cover
*	5037314	-	1	12" Shelf Bench Assy.	25	5619204	20	20	Screw
9	5619204	4	4	Screw	26	5109815	2	2	Upright Cover
10	5109266	2	2	Shelf Joint Trim	27	5109816	2	2	Upright Cover
11	5602782	1	-	Top Panel	28	5109280	2	2	End Close-off, 12" Shelf
	5602783	-	1	Top Panel	29	5109279	2	2	End Close-off, 18" Shelf
	5236930	1	-	Card Molding		5104702	8	8	Rivet (2 per close-off)



ELECTRICAL SYSTEM COMPONENTS - (CONT'D)
 OPTIONAL SUPERSTRUCTURE COMPONENTS - NFW/NCW/NFWG/NCWG
 12" 2FSL Superstructure Light Channel

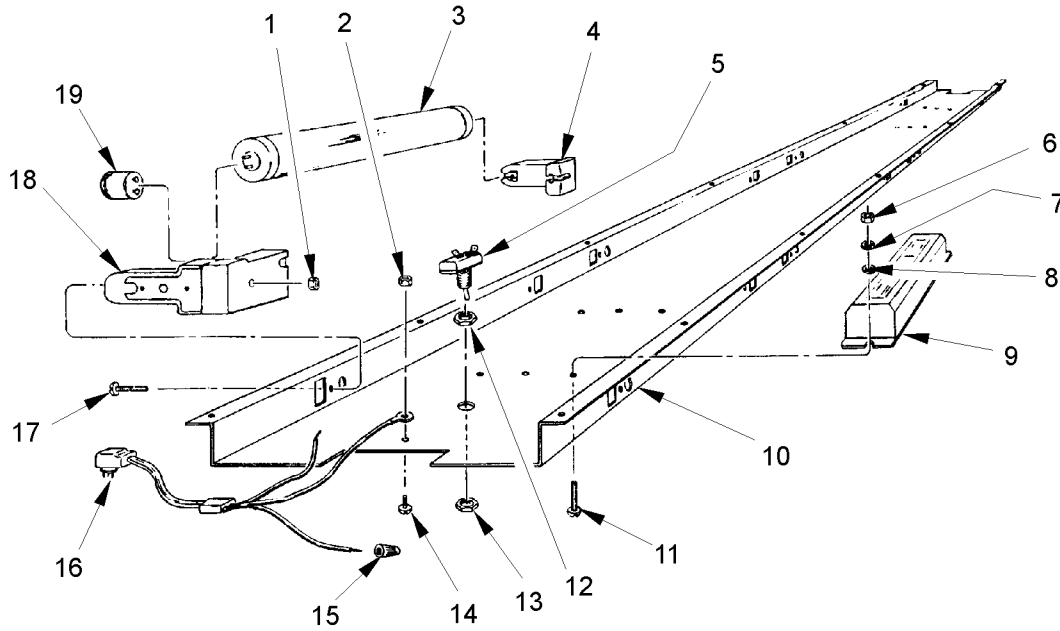


8' and 12' Merchandiser

Item	Part No.	Quantity		Description	Item	Part No.	Quantity		Description
		8'	12'				8'	12'	
*	5036566	1	-	Light Channel Assy., 8'	10	5232279	2	3	Lampholder
*	5036567	-	1	Light Channel Assy., 12'	11	5111197	4	6	Screw
1	5100565	1	1	Toggle Switch	12	----	2	2	Nut (furnished w/ switch)
2	5100973	4	6	Washer	13	5214107	4	6	Screw
3	5111198	4	6	Nut	14	5145679	6	8	Wire Nut
4	5101000	4	6	Lockwasher	15	5111197	1	1	Screw
5	5100066	2	3	Ballast - 60Hz., 30W, 115V	16	5199462	1	1	Wire Harness Assy.
	5120327	2	3	Opt. Ballast - 50Hz., 30W, 220V	17	5602795	1	-	Light Channel
6	5232279	2	3	Lampholder	18	5124818	1	-	Heater Harness
7	5102021	2	3	Starter, 30W		5124819	-	1	Heater Harness
	5107548	2	3	Starter Socket	19	5111198	1	1	Nut
8	R500027	2	3	Lamp					
9	----	4	6	Nut (furnished w/ lamphldr)					



ELECTRICAL SYSTEM COMPONENTS - (CONT'D)
 OPTIONAL SUPERSTRUCTURE COMPONENTS - NFW/NCW/NFWG/NCWG
 18" 2FSL Superstructure Light Channel

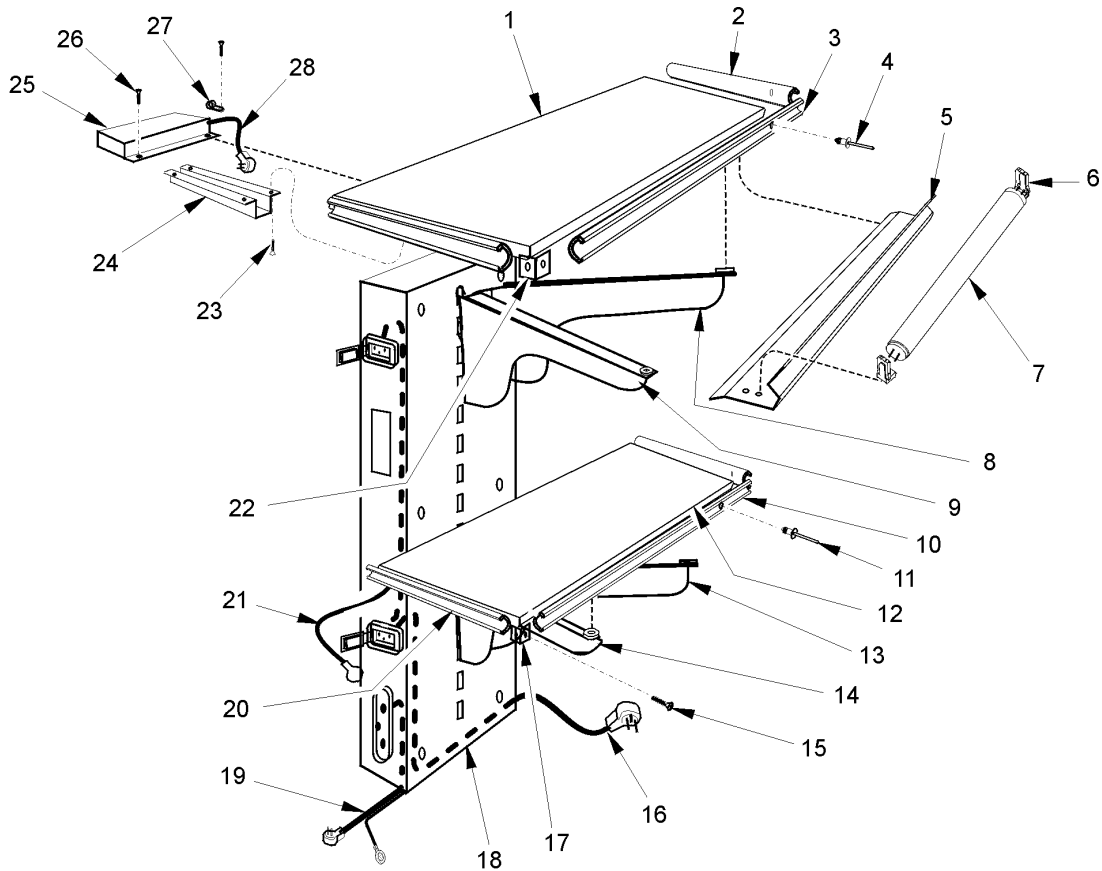


8' and 12' Merchandiser

Item	Part No.	Quantity		Description	Item	Part No.	Quantity		Description
		8'	12'				8'	12'	
*	5036564	1	-	Light Channel Assy., 8'	10	5602793	1	-	Light Channel
*	5036565	-	1	Light Channel Assy., 12'		5602794	-	1	Light Channel
1	----	8	12	Nut (furnished w/ lamphldrs)	11	5111197	8	12	Screw
2	5111198	1	1	Nut	12	----	1	1	Nut (furnished w/ switch)
3	R500027	4	6	Lamp	13	----	1	1	Nut (furnished w/ switch)
4	5217544	4	6	Lampholder	14	5111197	1	1	Screw
5	5100565	1	1	Toggle Switch	15	5145679	10	14	Wire Nut
6	5111198	8	12	Nut	16	5220621	1	1	Wire Harness Assy.
7	5101000	8	12	Lockwasher	17	5214107	8	12	Screw
8	5100973	8	12	Washer		5211201	8	12	Lockwasher, Internal
9	5100066	4	6	Ballast - 60Hz., 30W, 115V	18	5217544	4	6	Lampholder
	5120327	4	6	Opt. Ballast - 50Hz., 30W, 220V	19	5102021	4	6	Starter, 30W
						5107584	4	6	Starter Socket



ELECTRICAL SYSTEM COMPONENTS - (CONT'D)
 OPTIONAL SUPERSTRUCTURE COMPONENTS - NFWE/NCWE
 Superstructure End Shelving - 12" & 15"



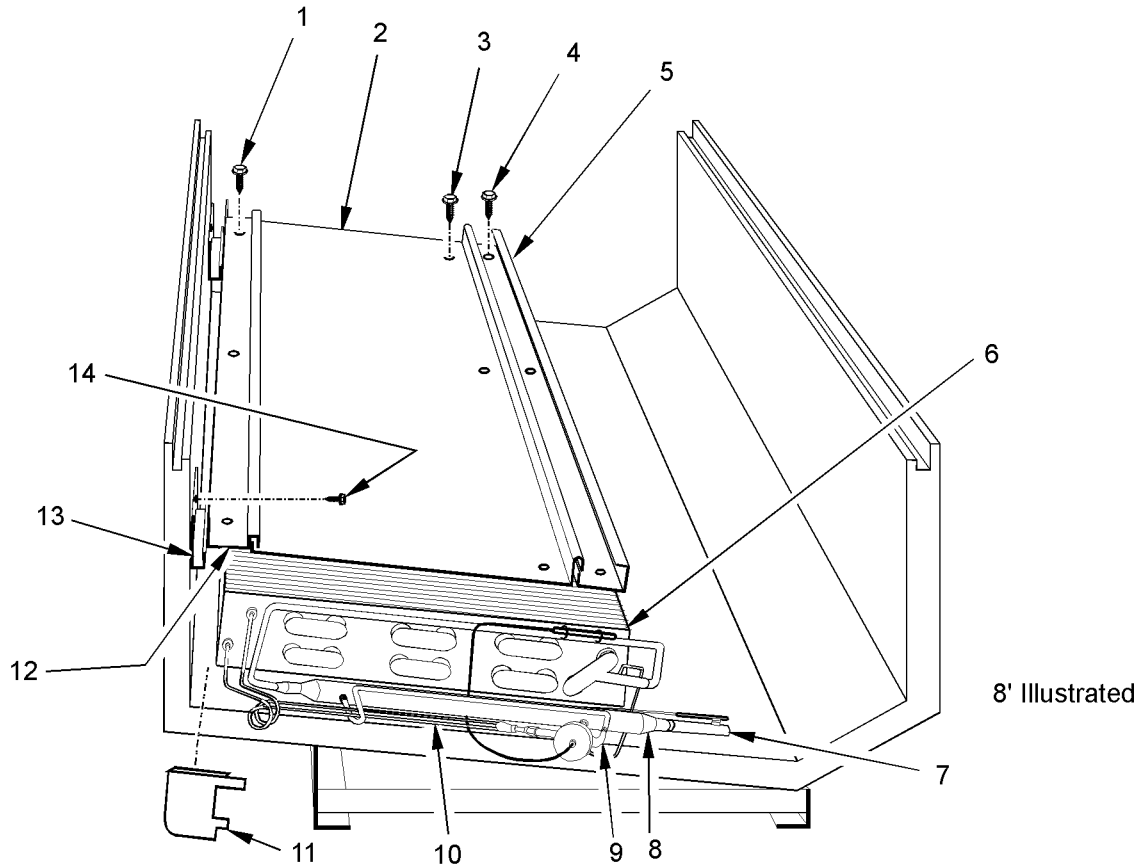
End Merchandiser

Item	Part No.	Qty.	Description	Item	Part No.	Qty.	Description
*	5028708	1	DWA Superstructure Assy. w/ 2 Shelves	16	5220500	1	Light Harness
*	5040471	1	15" Shelf Bench Assy.	17	5123231	2	Card Molding, Corner Cap
1	5025072	1	15" Shelf Weld Assy.	*	5025047	1	Upright & Harness Bench Assy.
2	5236890	2	Card Molding, Side	18	5193895	1	End Shelf Upright
3	5236904	1	Card Molding, Front	19	5123211	1	Heater Harness
4	5104957	7	Rivet	20	5236888	2	Card Molding, Side
*	5025202	1	Light Channel & Wiring Assy.	21	5103867	1	Harness, Male Plug
5	5607339	1	Light Channel		5123236	1	Heater Harness
	5107584	1	Starter Socket	22	5123231	2	Card Molding, Corner Cap
	5102018	1	Starter, 15W	23	5619204	1	Screw
	5102071	1	Strain Relief	24	5123175	1	Wiring Race Ballast Cover
	5123229	1	Light Channel Harness	*	5025203	1	Ballast Housing & Wiring Assy.
6	5217544	2	Lampholder, T-12	25	5607338	1	Ballast Housing
7	R500027	1	Lamp, 15W		5102019	1	Ballast - 60Hz., 15W, 118V
8	5040441	1	RH 15" Shelf Bracket		5123230	1	Harness, Ballast
9	5040442	1	LH 15" Shelf Bracket		5100565	1	Toggle Switch
*	5040470	1	12" Shelf Bench Assy.		5111198	2	Nut
10	5236897	1	Card Molding, Front		5100387	2	Lockwasher
11	5104957	7	Rivet		5111197	2	Screw
12	5025071	1	12" Shelf Weld Assy.	26	5183536	3	Screw
13	5040439	1	RH 12" Shelf Bracket	27	5100902	1	Plastic Clip
14	5040440	1	LH 12" Shelf Bracket	28	5220621	1	Harness
15	5048626	4	Screw		5123249	1	Strain Relief
					5102071	1	Hayco - 5/8" Dia.



REFRIGERATION SYSTEM COMPONENTS

COIL ASSEMBLIES - NFW/NCW/NFWG/NCWG/NFWE/NCWE

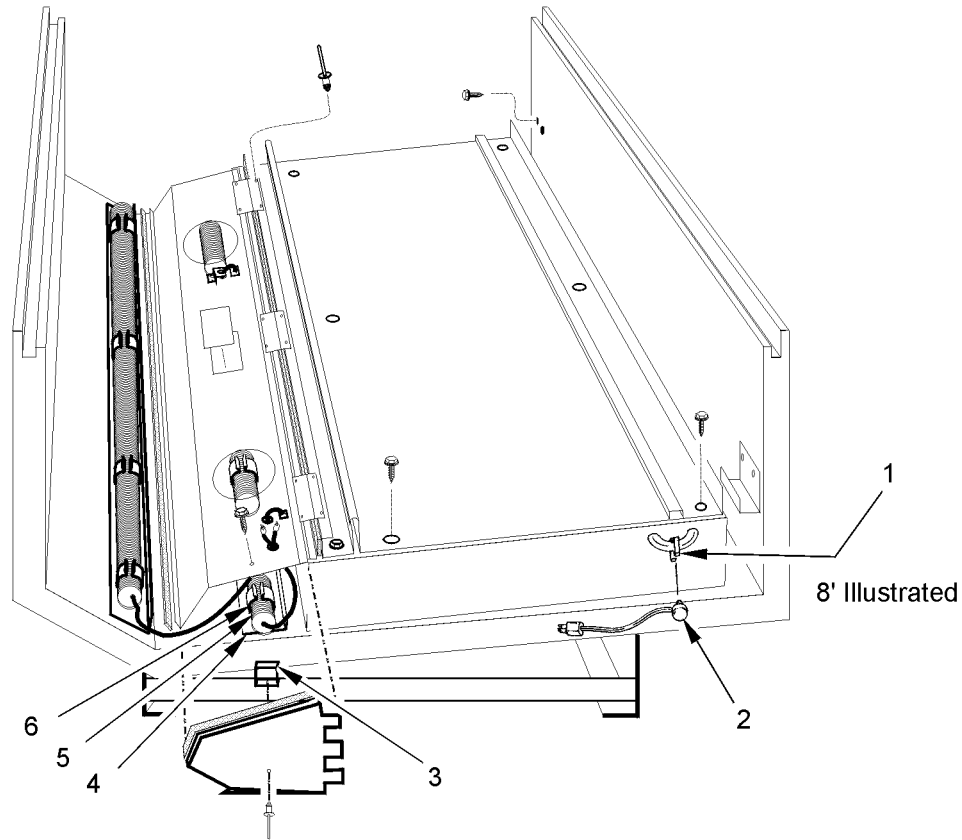


8', 12' and End Merchandiser

Item	Part No.	Quantity			Description	Item	Part No.	Quantity			Description
		8'	12'	End				8'	12'	End	
1	5120943	3	4	2	Screw	8	5630401	1	1	-	Heat Exchanger
2	5185281	1	-	-	Coil Cover		5607405	-	-	1	Heat Exchanger
	5185282	-	1	-	Coil Cover	9	5234763	1	1	1	Liquid Line Assy.
	5225838	-	-	1	Coil Cover		5624902	1	1	1	Schrader Valve
3	5120943	3	4	2	Screw	10	5235421	1	1	1	Distributor & Line Assy.
4	5120943	3	4	2	Screw	11	5186497	1	1	N/A	LH Rear Close-off
	5186500	1	-	-	Front Coil Close-off		5186496	2	3	N/A	RH Rear Close-off
	5186501	-	1	-	Front Coil Close-off		5056729	-	-	1	LH Rear Close-off
5	5225837	-	-	1	Front Coil Close-off		5056728	-	-	1	RH Rear Close-off
	5212136	1	-	-	Coil Assy.	12	5186502	1	-	-	Rear Coil Close-off
	5212137	-	1	-	Coil Assy.		5186503	-	1	-	Rear Coil Close-off
9302945	-	-	1	Coil Assy.	5225839		-	-	1	Rear Coil Close-off	
7	5234761	1	1	-	Suction Tube	13	5182036	1	1	N/A	LH Coil End Close-off
	5647895	-	-	1	Suction Tube		5182035	1	1	N/A-	RH Coil End Close-off
*	5212128	1	1	-	Heat Exchanger Assy.	14	5120943	4	4	N/A	Screw
*	5239889	-	-	1	Heat Exchanger Assy.						



REFRIGERATION SYSTEM COMPONENTS - (CONT'D)
ELECTRIC DEFROST - NFW/NCW/NFWG/NCWG

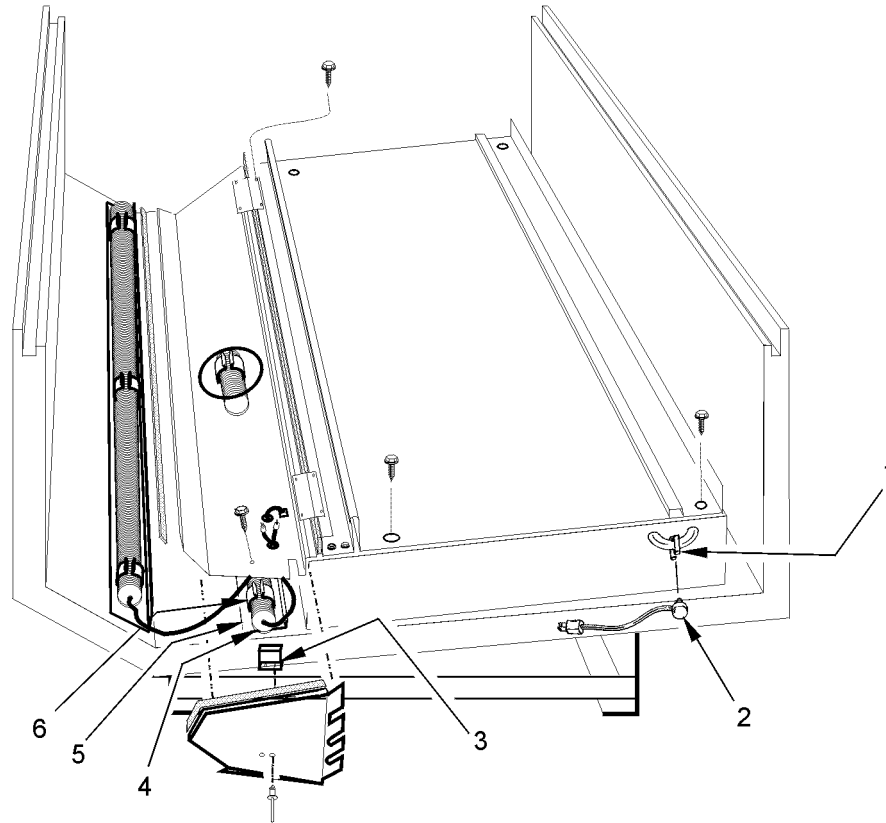


8' and 12' Merchandiser

Item	Part No.	Quantity		Description	Options		Quantity		Description
		8'	12'		Item	Part No.	8'	12'	
1	5145098	1	1	Klixon Mounting Clip	*	5212129	1	1	Hand Valve Kit
2	5125211	1	1	Klixon Thermostat		5234763	1	1	Liquid Line Assy.
3	5623803	2	2	Defrost Heater Support		5620001	1	1	Hand Valve
*	5028056	2	-	Heat Tube Support Assy.		5639536	1	1	Tubing, Heat Exchanger
*	5028057	-	2	Heat Tube Support Assy.		5212132	1	1	Tubing, Hand Valve
4	5128680	2	-	Defrost Heater Deflector	*	5212130	1	1	Solenoid Valve Kit
	5128681	-	2	Defrost Heater Deflector		5234763	1	1	Liquid Line Assy.
5	5124521	2	-	Defrost Heater, 1430W		5942194	1	1	Solenoid Valve - 3/8" O.D.
	5124522	-	2	Defrost Heater, 2145W		5639536	1	1	Tubing, Heat Exchanger
6	5104952	8	8	Clip		5212132	1	1	Tubing, Solenoid Valve
	5197811	8	8	Hat Channel	*	5212131	1	1	Hand/Solenoid Valve Kit
	5104702	8	8	Rivet		5234763	1	1	Liquid Line Assy.
	5123674	1	1	Strain Relief		5620001	1	1	Hand Valve
						5942194	1	1	Solenoid Valve - 3/8" O.D.
						5639536	1	1	Tubing, Heat Exchanger
						5626909	1	1	Tubing, Hand Valve
						5212132	1	1	Tubing, Solenoid Valve



REFRIGERATION SYSTEM COMPONENTS - (CONT'D)
ELECTRIC DEFROST - NFWE/NCWE

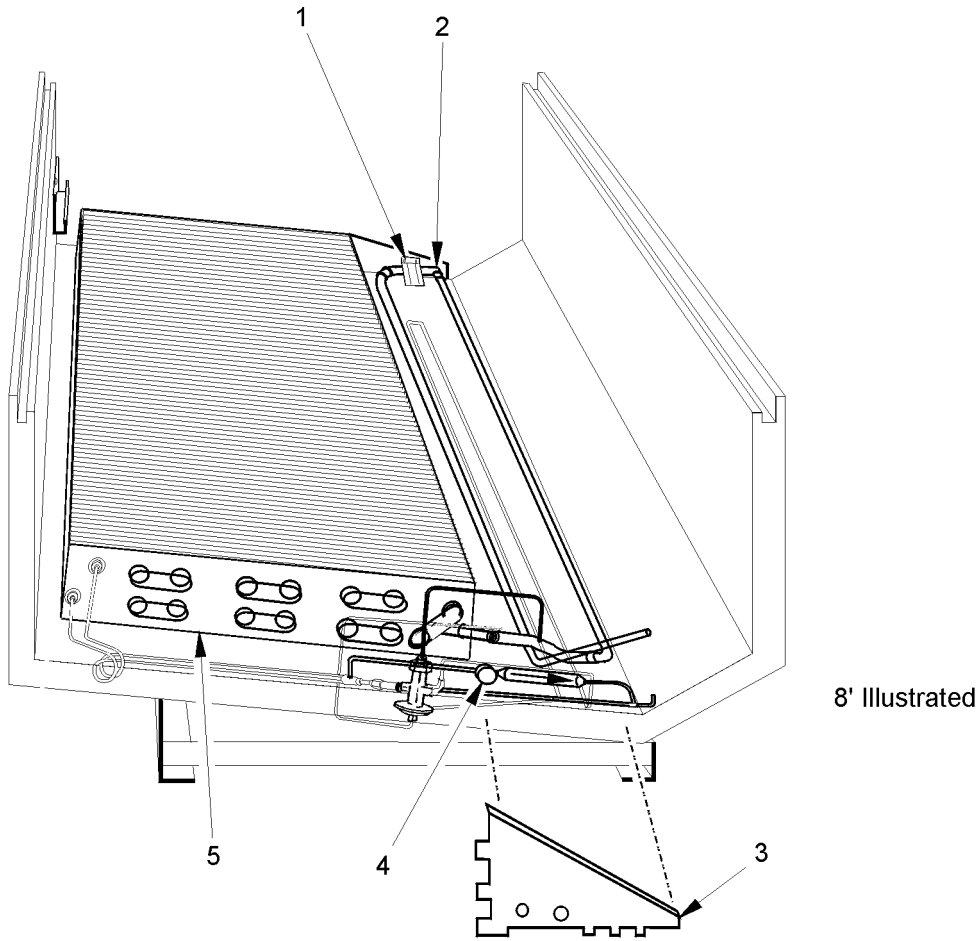


End Merchandiser

Item	Part No.	Qty.	Description	Options	Item	Part No.	Qty.	Description
1	5145098	1	Klixon Mounting Clip		*	5223775	1	Hand Valve Kit
2	5125211	1	Klixon Thermostat			5223737	1	Tubing, Liquid Line
3	5128444	1	RH Defrost Heater Support			5620001	1	Hand Valve
	5128445	1	LH Defrost Heater Support			5208297	1	Tubing, Hand Valve
4	5225840	2	Defrost Heater, 718W		*	5223776	1	Solenoid Valve Kit
*	5225841	2	Heat Tube Support Assy.			5223737	1	Tubing, Liquid Line
5	5225842	2	Defrost Heater Deflector			5942194	1	Solenoid Valve
	5197811	6	Hat Channel			5208297	1	Tubing, Solenoid Valve
	5104702	6	Rivet		*	5223777	1	Hand & Solenoid Valve Kit
6	5104952	6	Clip			5223737	1	Tubing, Liquid Line
						5620001	1	Hand Valve
						5210896	1	Tubing, Hand Valve
						5208297	1	Tubing, Solenoid Valve



REFRIGERATION SYSTEM COMPONENTS - (CONT'D)
 OPTIONAL HOT GAS DEFROST - NFW/NCW/NFWG/NCWG

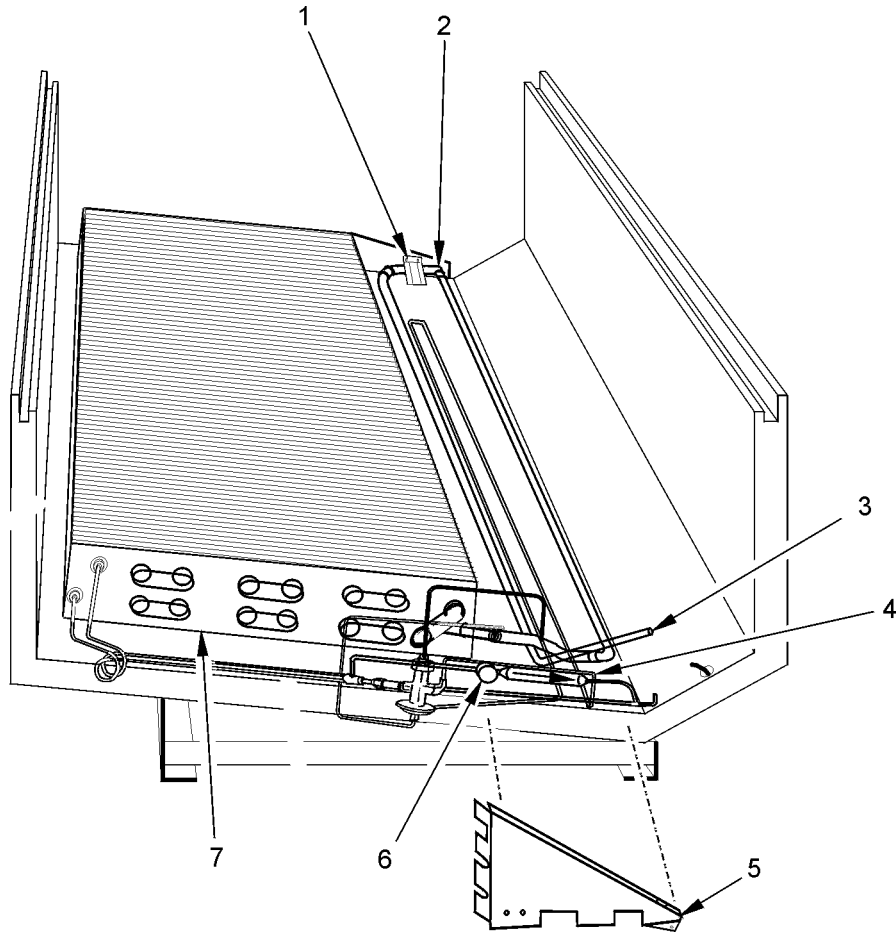


8' and 12' Merchandiser

Item	Part No.	Quantity		Description	Item	Part No.	Quantity		Description
		8'	12'				8'	12'	
1	5212251	1	1	Tube Holddown Clip					
	5104702	2	2	Rivet					
2	5213556	1	-	Hot Gas Defrost Kit					
	5213557	-	1	Hot Gas Defrost Kit					
3	5213352	1	1	LH Fan Panel Close-off (Hot Gas only)					
4	9023508	1	1	Klixon (55/40) & Mtg. Clip					
5	5212136	1	-	Coil Assy.					
	5212137	-	1	Coil Assy.					
					Options				
					*	5213558	1	-	Opt. Hot Gas Defrost Kit w/ Hand Valve
					*	5213559	-	1	Opt. Hot Gas Defrost Kit w/ Hand Valve
						5620001	1	1	Hand Valve



REFRIGERATION SYSTEM COMPONENTS - (CONT'D)
 OPTIONAL HOT GAS DEFROST - NFWE/NCWE

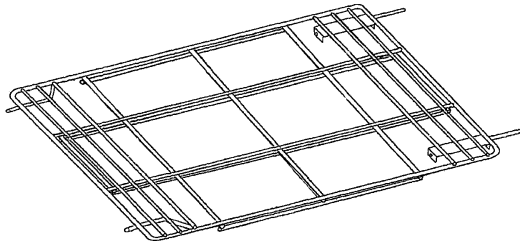


End Merchandiser

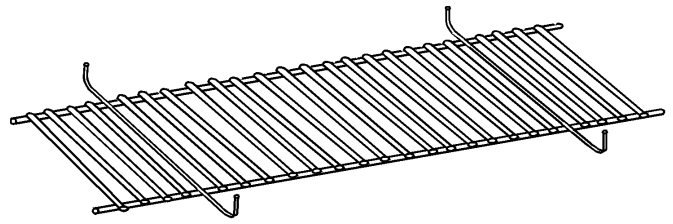
Item	Part No.	Qty.	Description	Item	Part No.	Qty.	Description
1	5213351	1	Tube Holddown Clip	Options			
	5104702	2	Rivet	*	5239912	1	Opt. Hot Gas Defrost Kit w/ Hand Valve
2	5239907	1	Drain Loop Tubing Assy.		5620001	1	Hand Valve
3	5239900	1	Suction Line Tubing				
4	5239910	1	Hot Gas Defrost Kit				
5	5224662	1	LH Fan Panel Close-off (Hot Gas only)				
6	9023508	1	Klixon (55/40) & Mtg. Clip				
7	9302945	1	Coil Assy.				



OPTIONAL CASE ACCESSORIES SHELF SCREENS



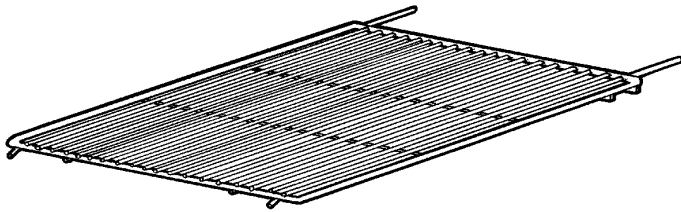
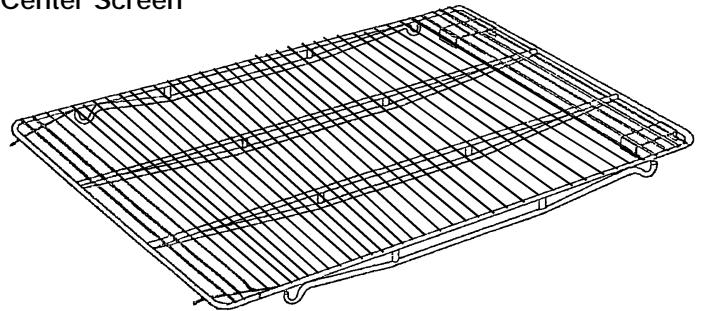
Joint Screen



Standard Adjustable Center Screen

Item	Part No.	Quantity		Description
		8'	12'	
*	5194923	1	-	Flat Adj Screen Set
*	5194924	-	1	Flat Adj Screen Set
	5183670	4	6	Flat Adjustable Screen

Center Screen



Optional Adjustable Screens (for models w/superstructure)

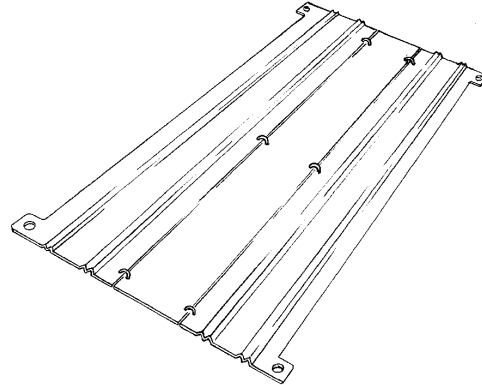
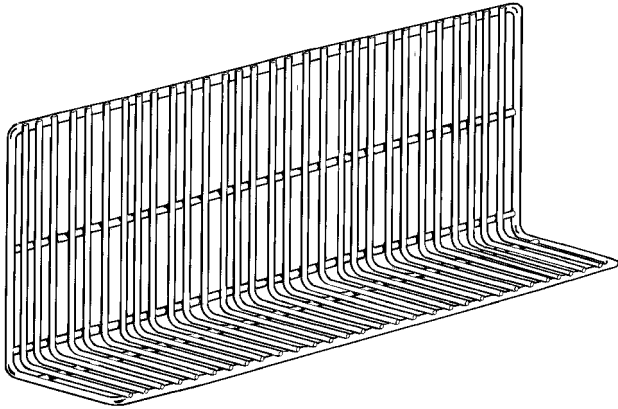
Item	Part No.	Quantity		Description
		8'	12'	
*	5194921	1	-	Opt. Adjustable Screen Set
*	5194922	-	1	Opt. Adjustable Screen Set
	5194925	2	2	End Screen
	5192426	2	2	Joint Screen
	5183670	2	4	Center Screen
*	9320368	1	-	Opt. Adj. Center Screen Set
*	9320369	-	1	Opt. Adj. Center Screen Set
	9320364	4	6	Screen

Standard Adjustable Flat Screen (for end case)

Item	Part No.	Qty	Description
*	5225858	1	Flat Adj Screen Set
	5195897	2	Flat Adjustable Screen
*	5647882	3	Flat Adjustable Screen



OPTIONAL CASE ACCESSORIES - (CONT'D)
SHELF DIVIDERS AND NITE COVER

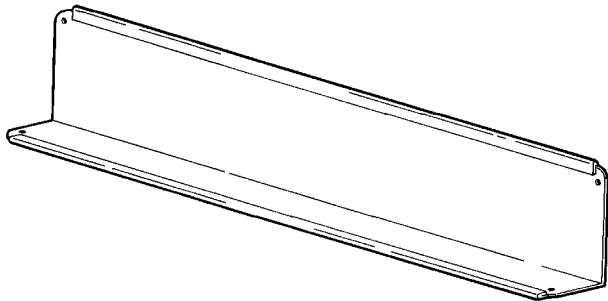


Optional "L" Wire Dividers

Item	Part No.	Quantity			Description
		8'	12'	End.	
-	5183645	1	1	-	"L" Wire Divider
-	9320363	1	1	-	"L" Wire Divider
*	5208303	-	-	1	"L" Wire Divider Set
-	5208276	-	-	3	"L" Wire Divider

Optional Nite Cover

Item	Part No.	Quantity			Description
		8'	12'	End.	
*	5028967	1	-	-	Nite Cover Set
*	5028968	-	1	-	Nite Cover Set
-	5028066	2	3	-	Nite Cover
*	5028965	-	-	1	Nite Cover Set
-	5208185	-	-	2	Nite Cover

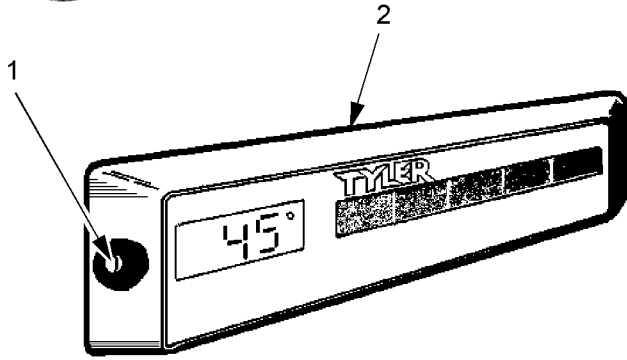


Optional "L" Solid Divider

Item	Part No.	Qty.	Description
-	5943406	1	"L" Solid Divider

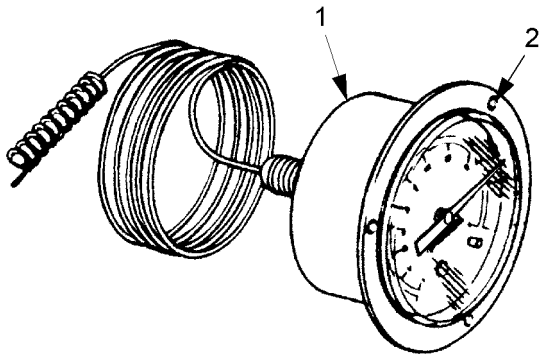


OPTIONAL CASE ACCESSORIES - (CONT'D) THERMOMETERS



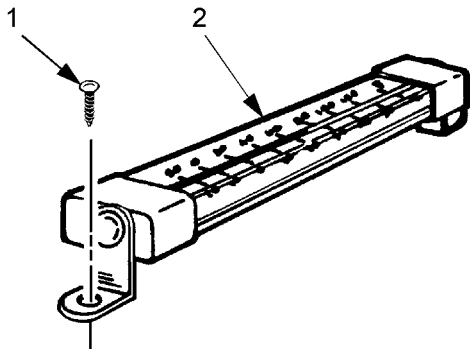
Digital Solar Thermometer

Item	Part No.	Qty.	Description
*	5230912	1	F° Thermometer Assembly
*	5988308	1	C° Thermometer Assembly
1	5230884	2	Screw
2	5239500	1	Digital Thermometer, F°
	5239501	1	Digital Thermometer, C°
*	9040967	1	F° Thermometer Assy. w/o Logo
1	5230884	2	Screw
2	9040965	1	Digital Thermometer, F°



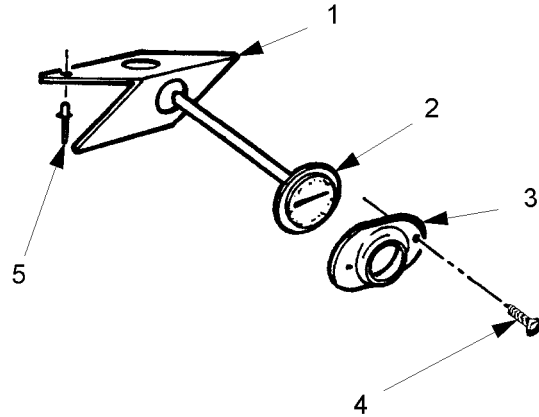
2" Dial Thermometer

Item	Part No.	Qty.	Description
*	5189909	1	Thermometer Assembly
1	5204006	1	2" Dial Thermometer
2	5199134	3	Screw



Thermometer

Item	Part No.	Qty.	Description
*	5949287	1	Thermometer Assembly
1	5048626	2	Screw
2	5967100	1	Thermometer



1" Dial Thermometer, Return Air

Item	Part No.	Qty.	Description
*	5028989	1	Thermometer Assy
1	5204471	1	Thermometer Support
2	5203829	1	1" Dial Thermometer
3	----	1	Mounting Ring (furnished with thermometer)
4	5319883	2	Screw
5	5104702	2	Rivet

1" Dial Thermometer, Discharge Air

Item	Part No.	Qty.	Description
*	5223092	1	Thermometer Assy (LFW/LCW/LFWG/LCWG)
*	5196030	1	Thermometer Assy (LFE/LCWE)
2	5222970	1	1" Dial Thermometer (LFW/LCW/LFWG/LCWG)
	5203829	1	1" Dial Thermometer (LFE/LCWE)
3	----	1	Mounting Ring (furnished with thermometer)
4	5319883	2	Screw